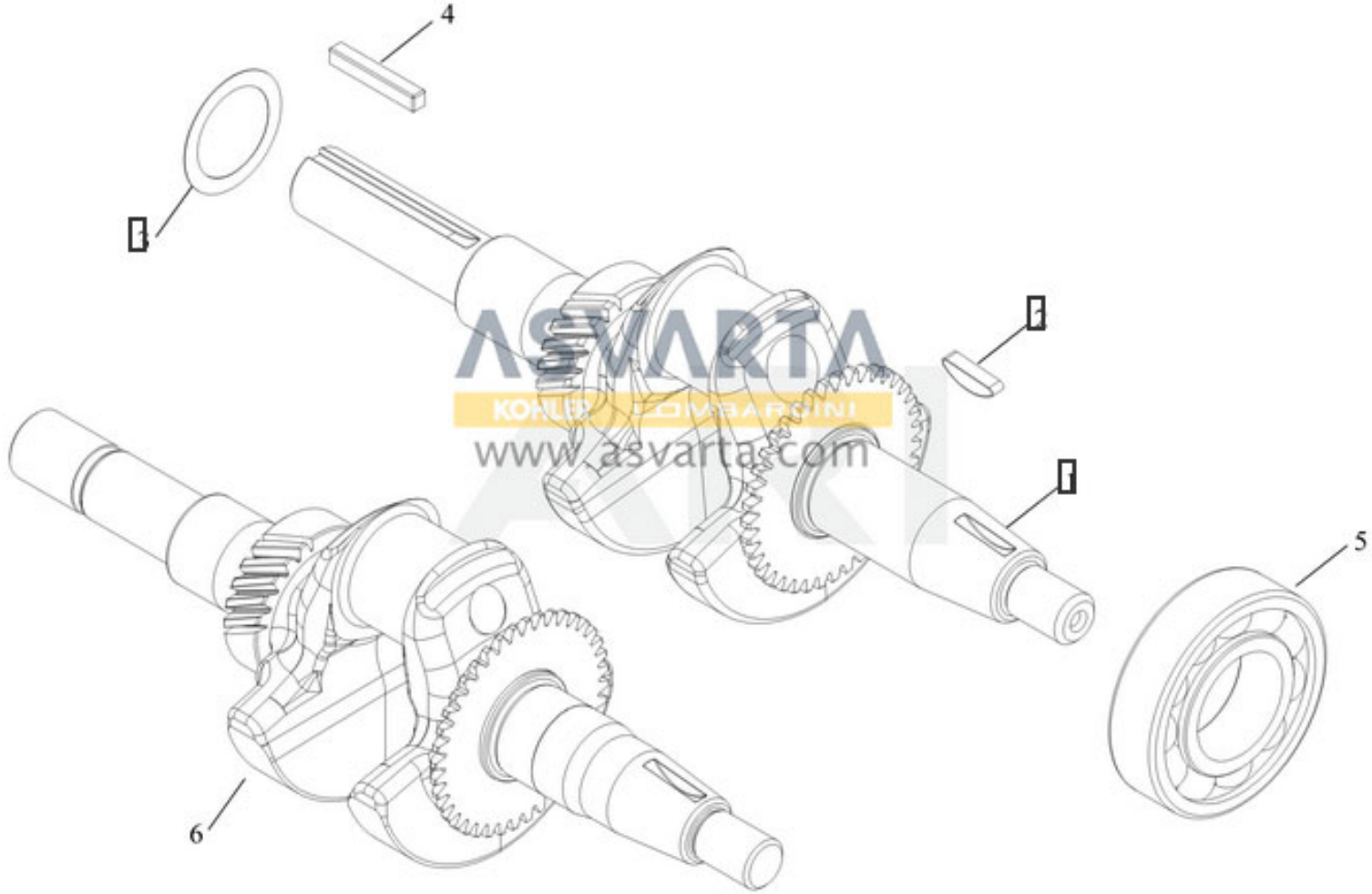
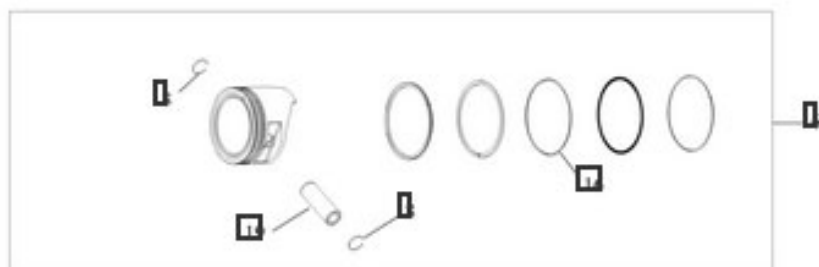
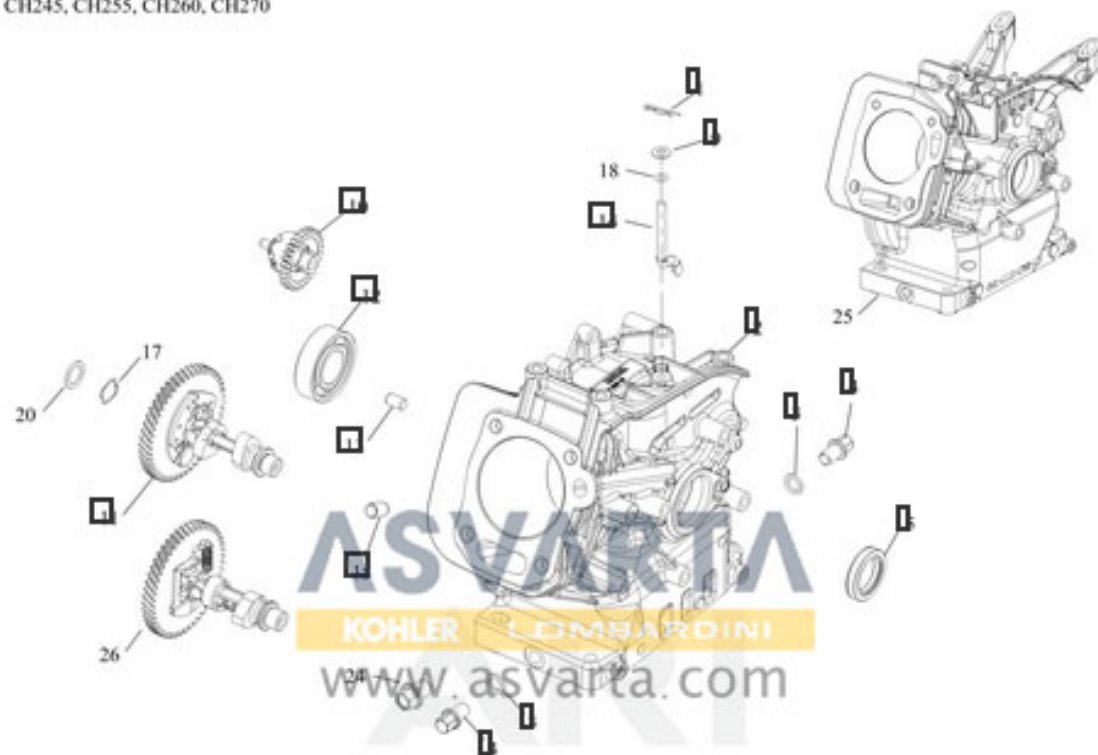


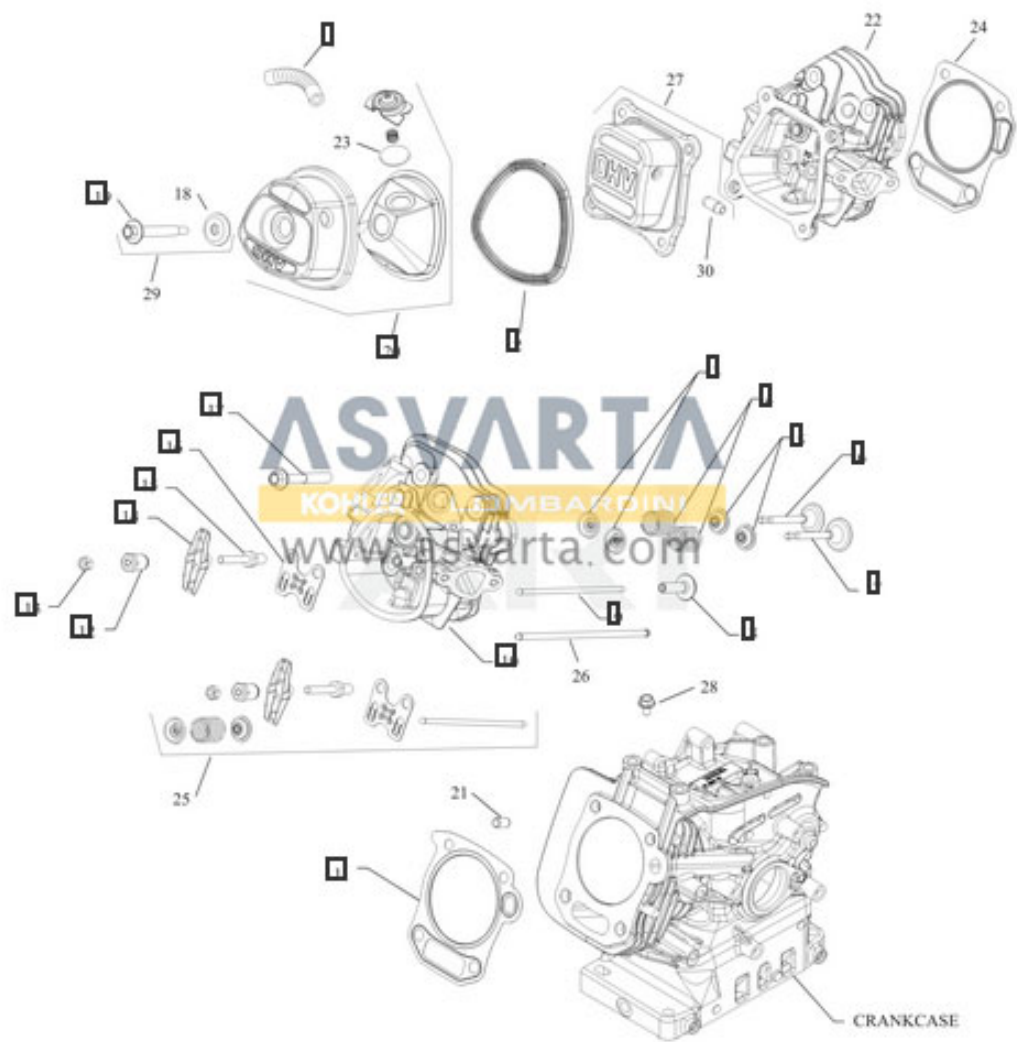
GROUP 1-CRANKSHAFT
CH245, CH255, CH260, CH270



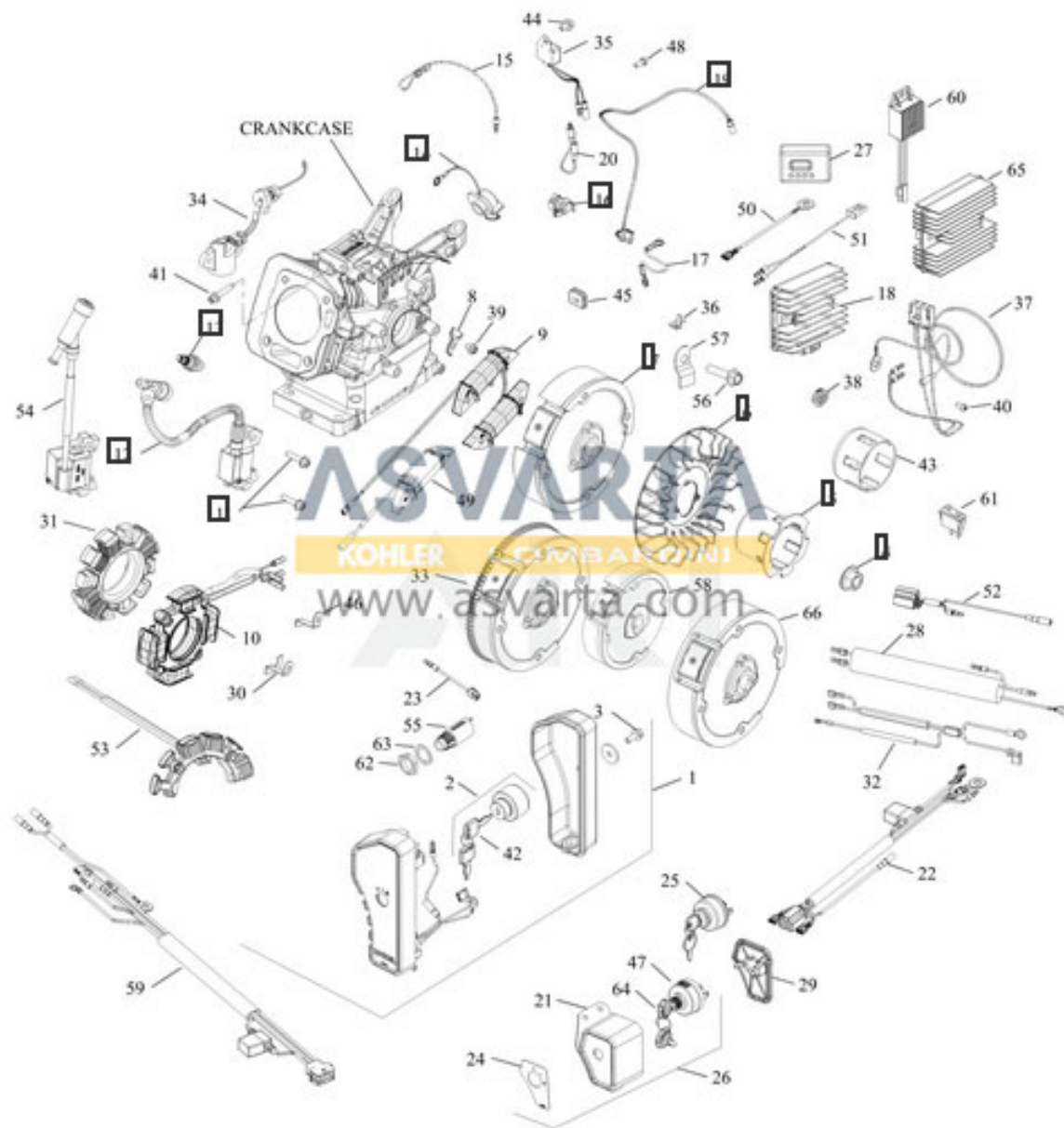
GROUP 2-CRANKCASE
CH245, CH255, CH260, CH270



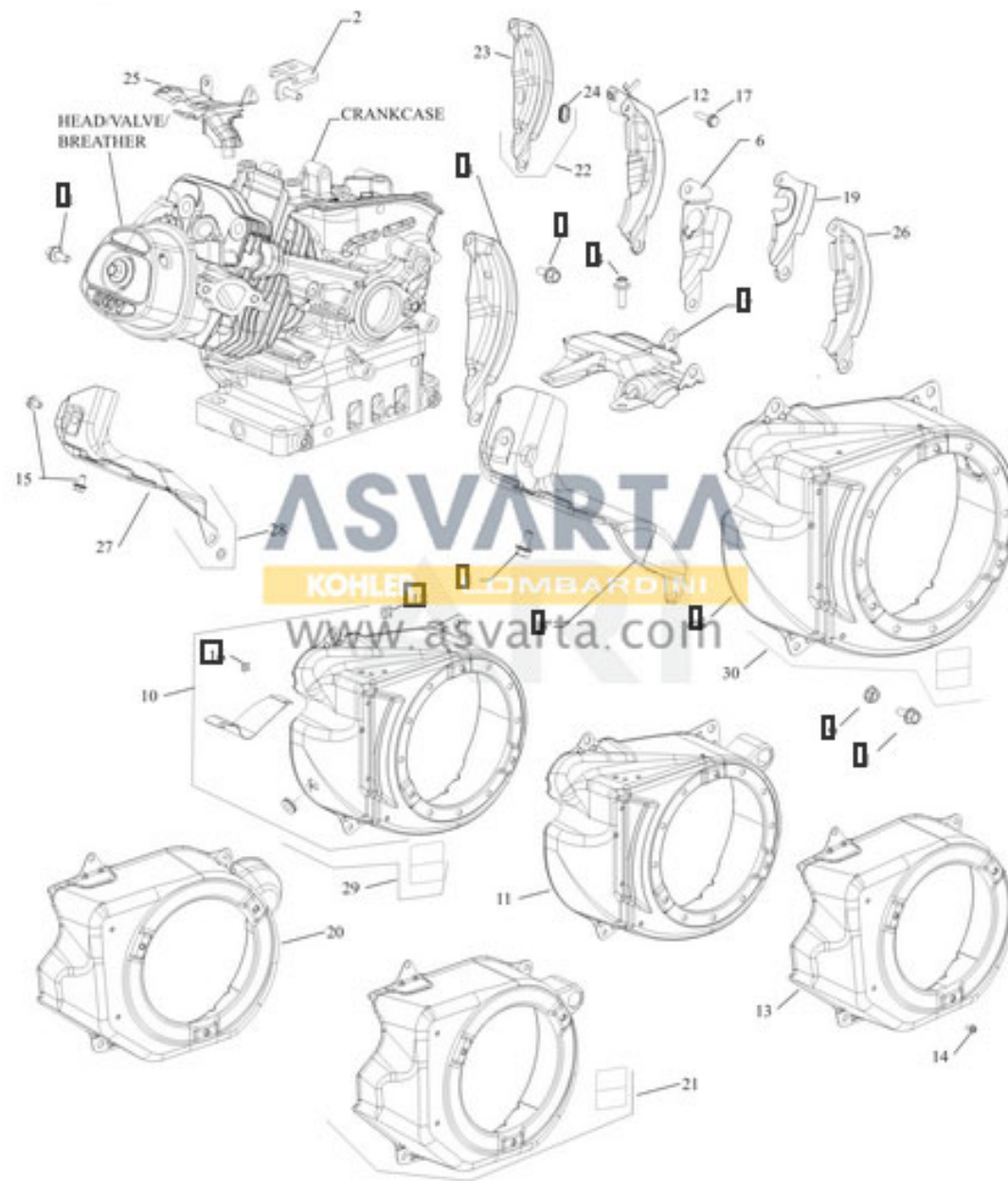
GROUP 4-HEAD/VALVE BREATHER
CH245, CH255, CH260, CH270



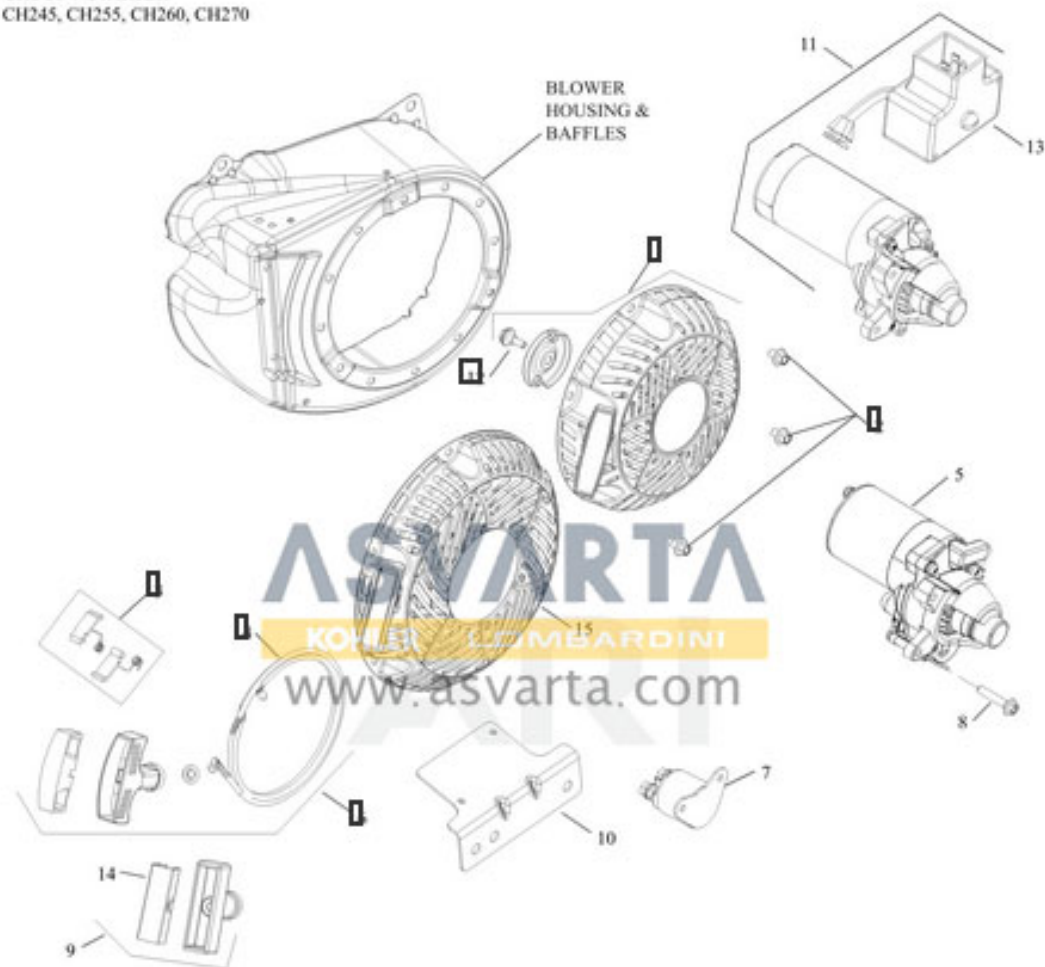
GROUP 5-IGNITION
CH245, CH255, CH260, CH270



GROUP 6-BLOWER HOUSING
CH245, CH255, CH260, CH270



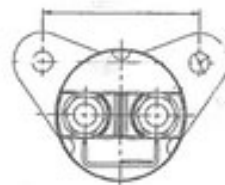
GROUP 7-STARTER
CH245, CH255, CH260, CH270



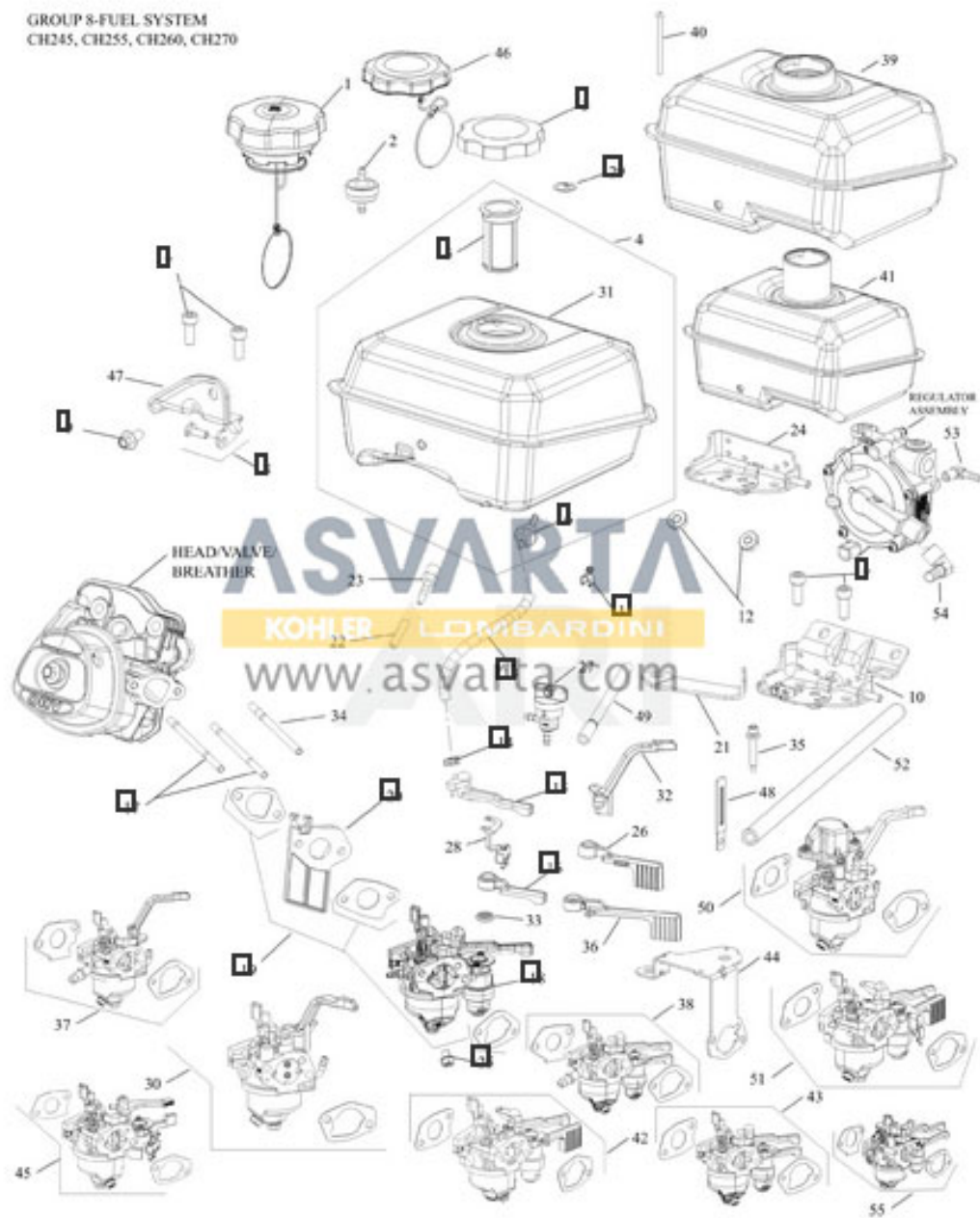
Identify Starter Solenoid/Relay based on Mounting Hole Spacing (See Diagram)

17 435 05-S Solenoid has a 1.65" (42.0 mm) Hole Spacing

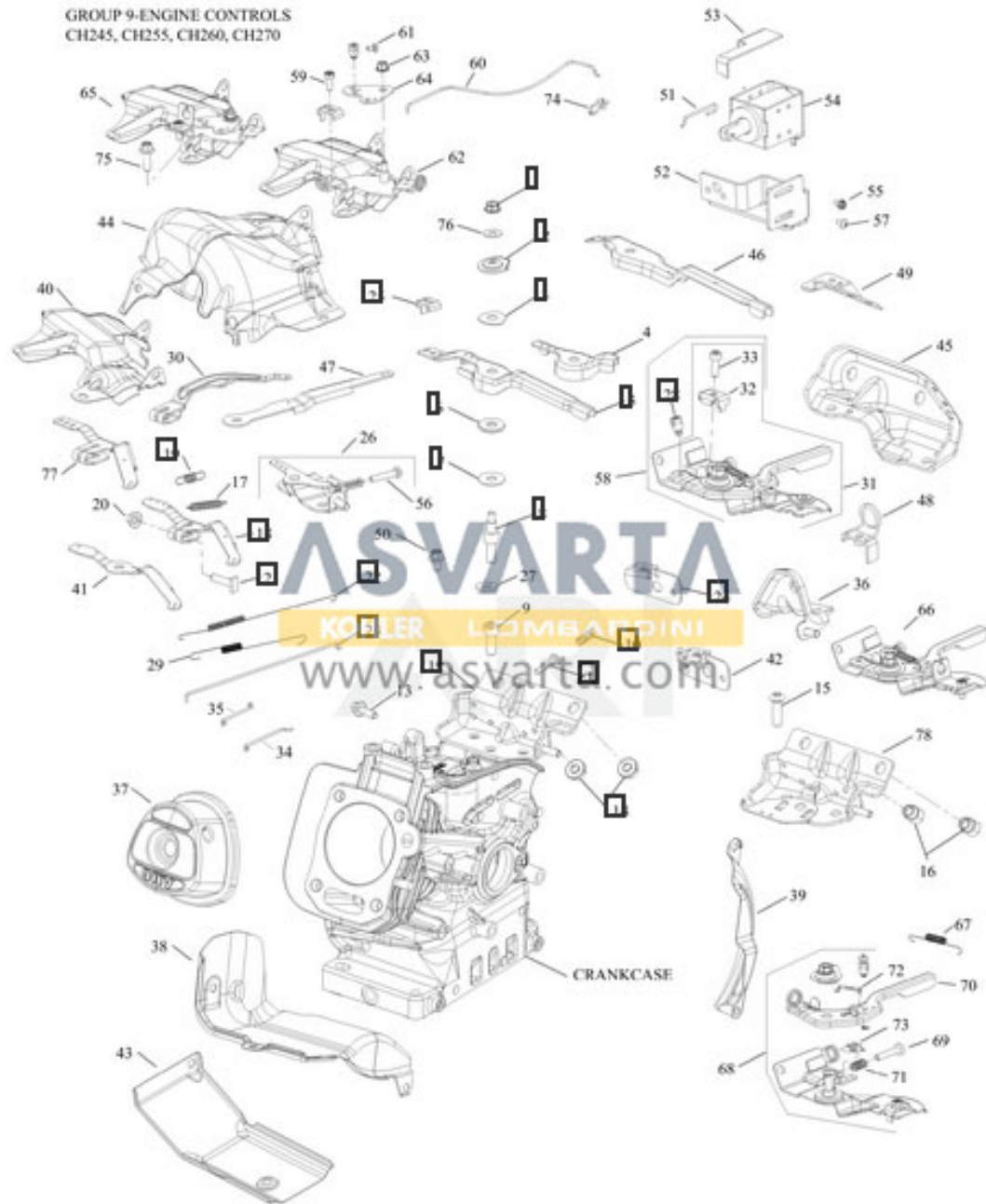
17 435 06-S Solenoid has a 1.39" (35.5 mm) Hole Spacing



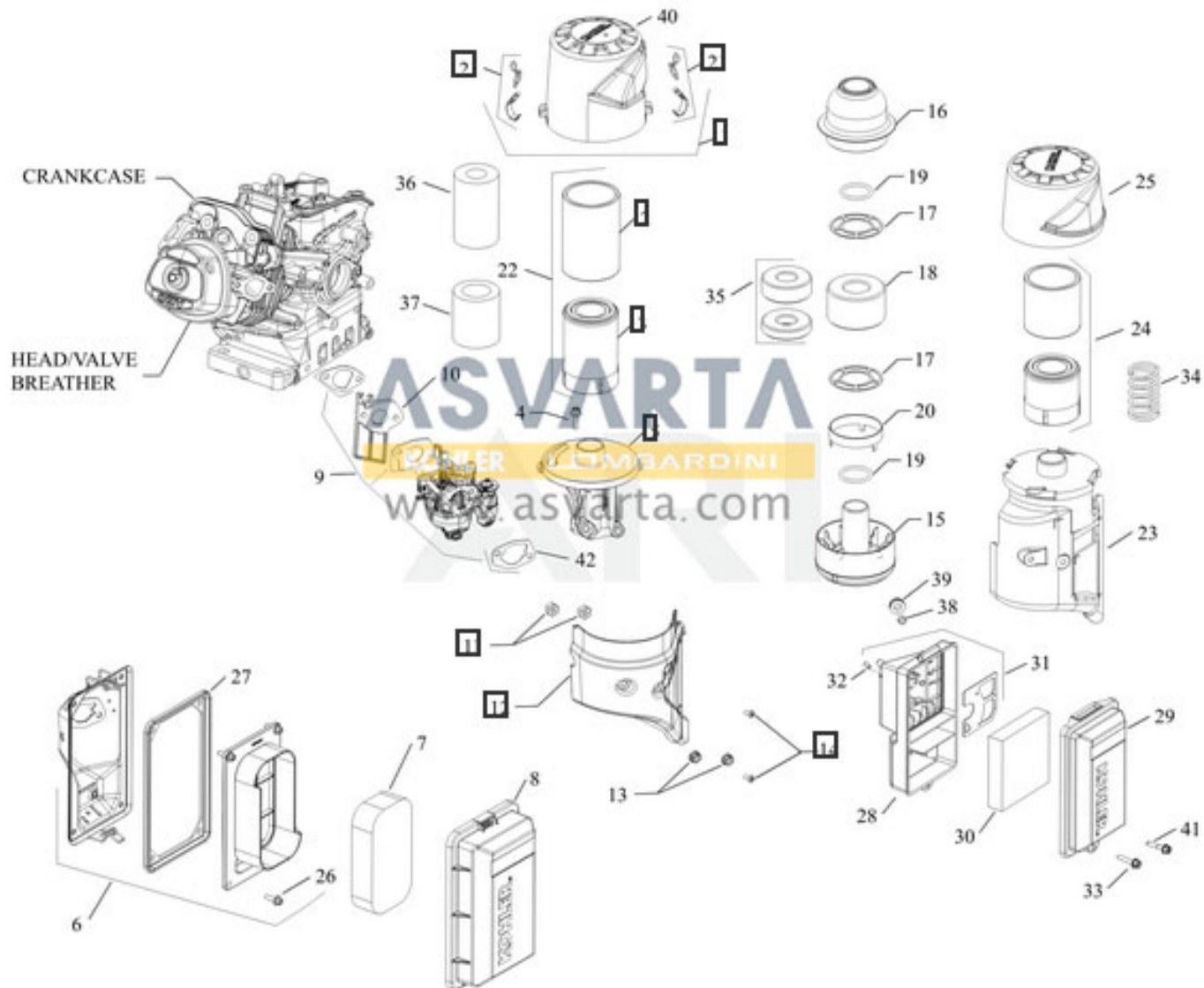
GROUP 8-FUEL SYSTEM
CH245, CH255, CH260, CH270



GROUP 9-ENGINE CONTROLS
CH245, CH255, CH260, CH270



GROUP 10-AIR INTAKE
CH245, CH255, CH260, CH270



GROUP 11-EXHAUST
CH245, CH255, CH260, CH270

