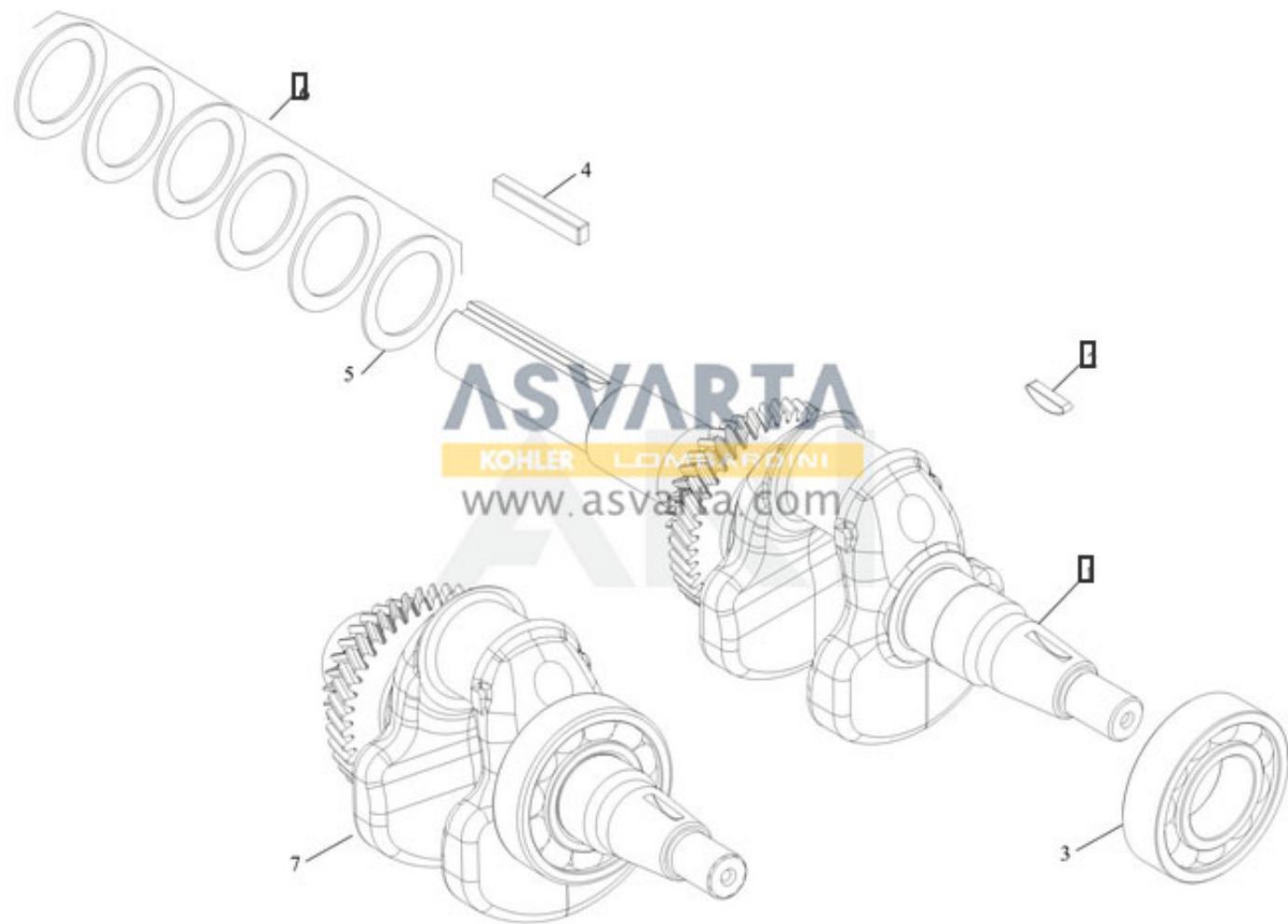
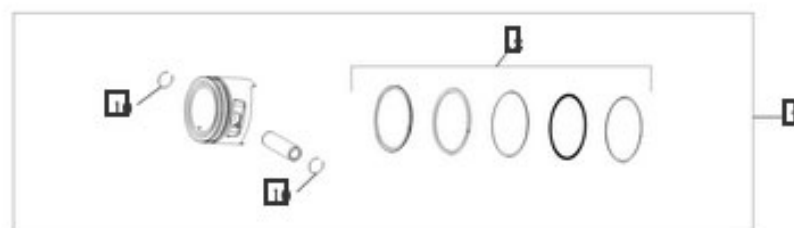
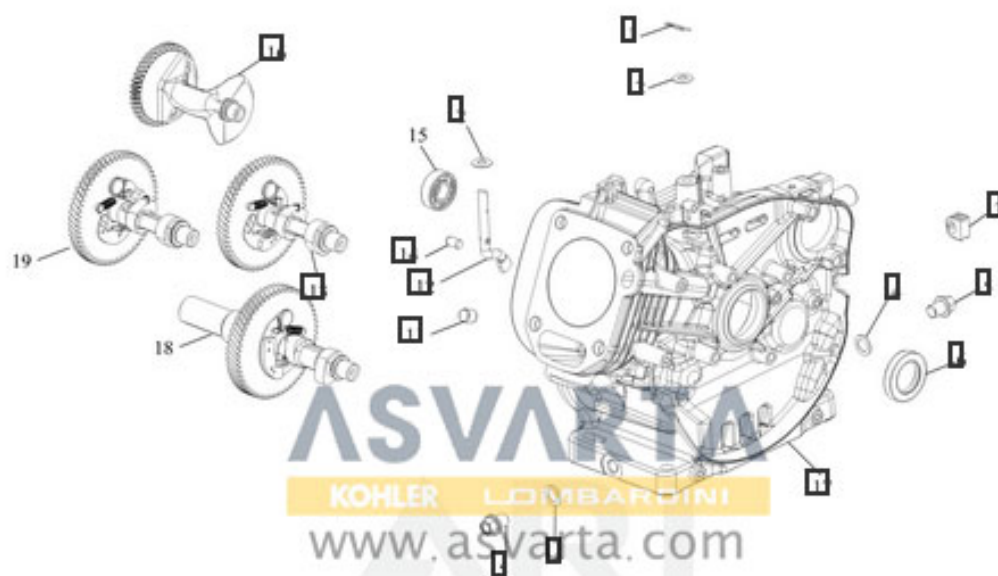


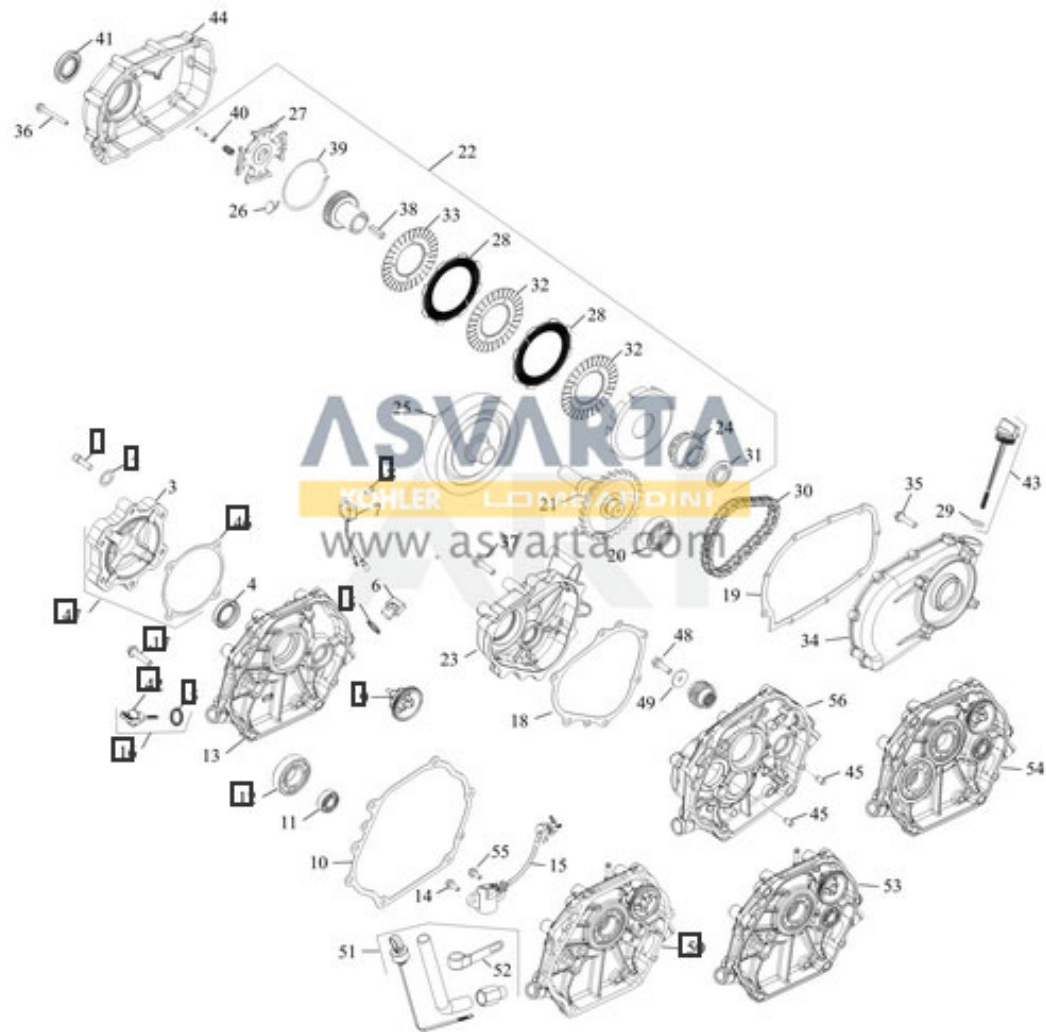
GROUP 1-CRANKSHAFT
CH395



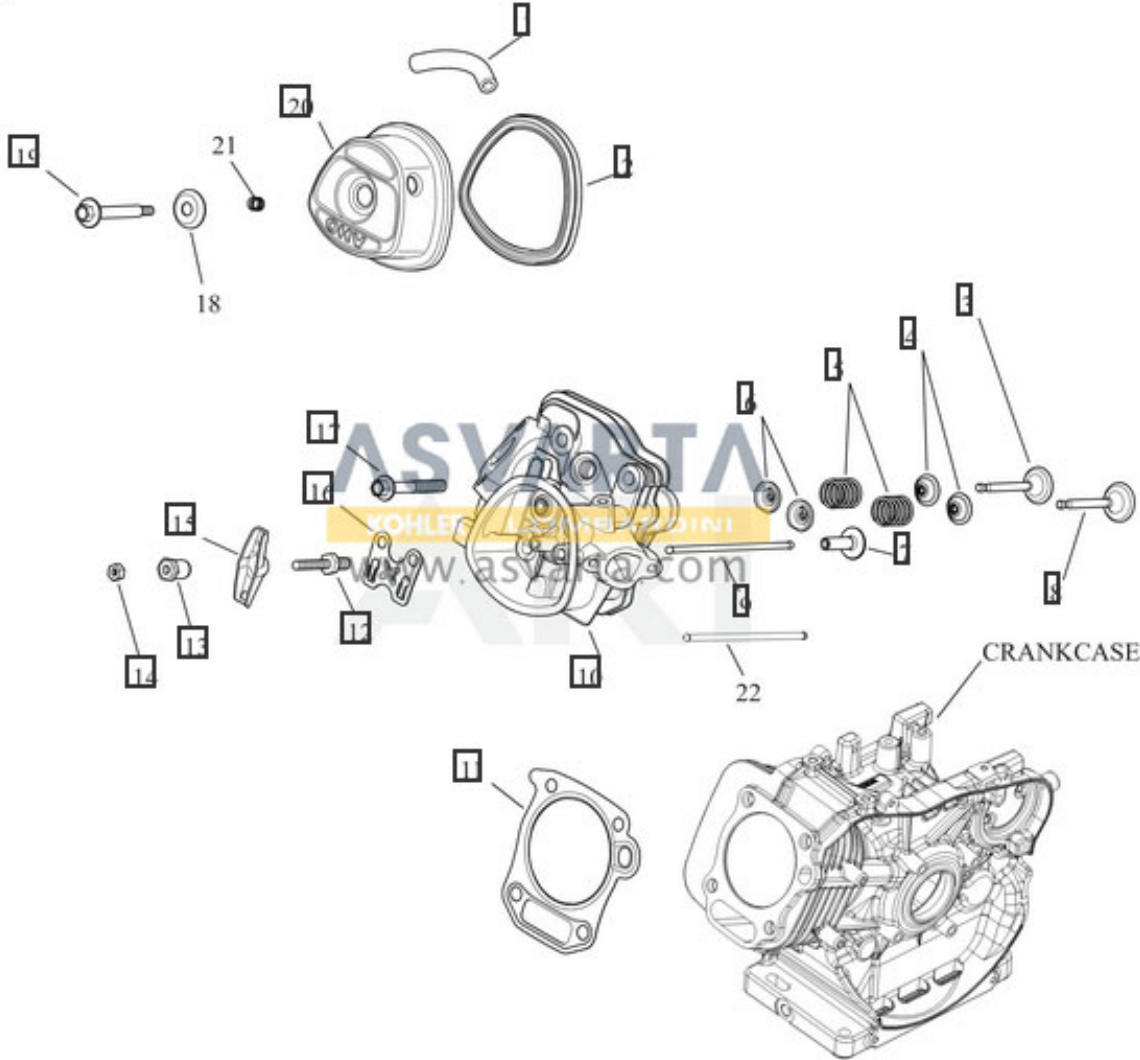
GROUP 2-CRANKCASE
CH395



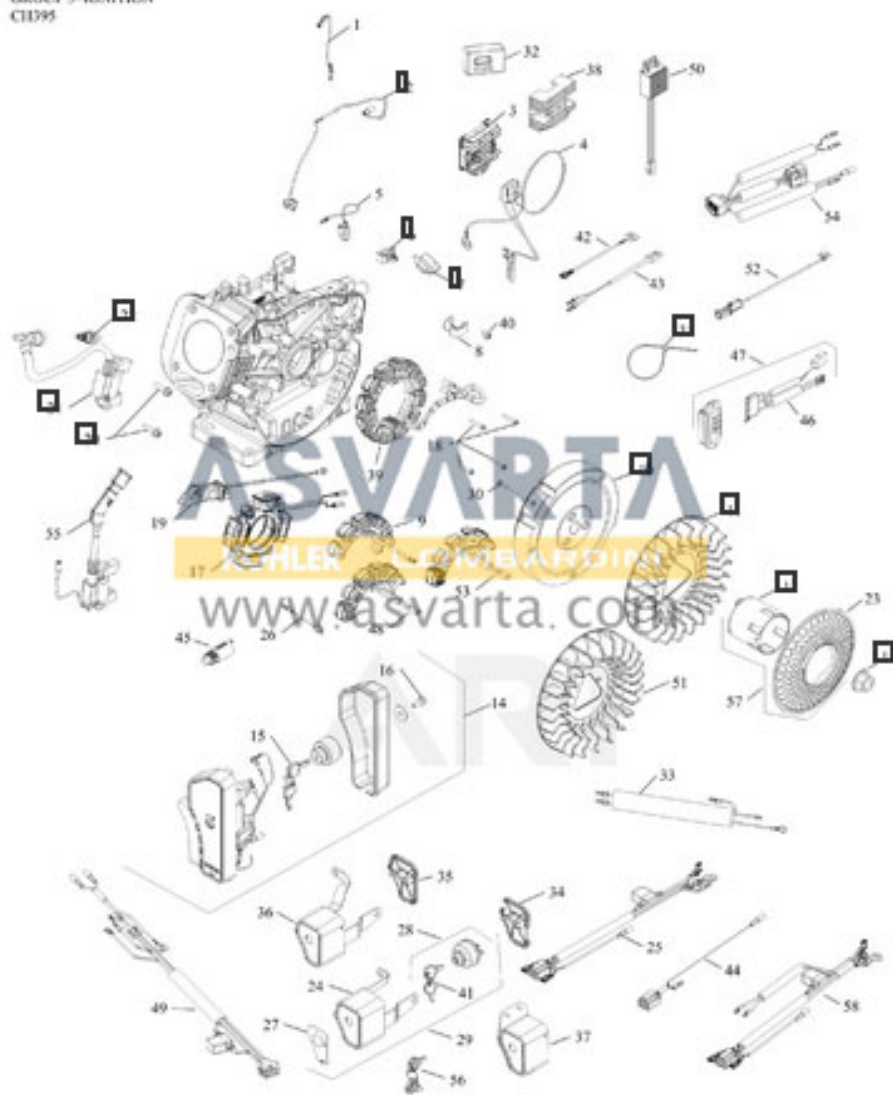
GROUP 3-LUBRICATION
CH395



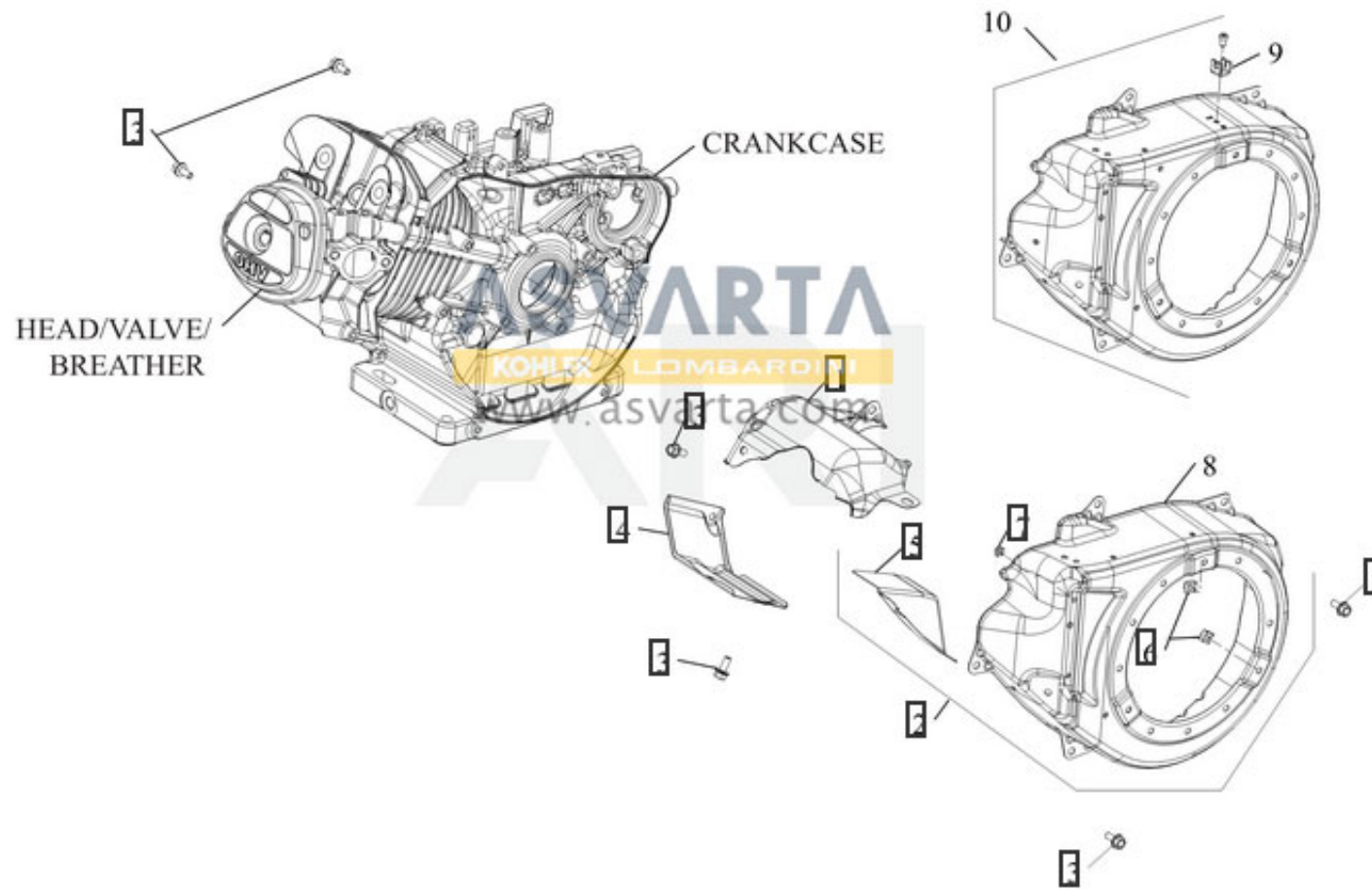
Group 4 – HEAD/VALVE BREATHER
CH395



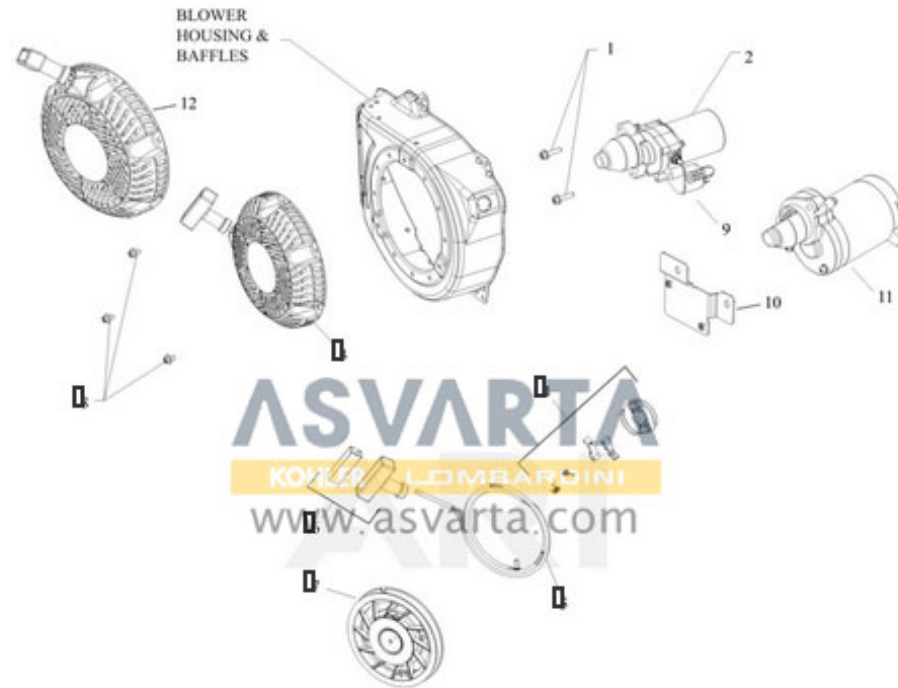
GROUP 5-IGNITION
CID395



GROUP 6-BLOWER HOUSING
CH395

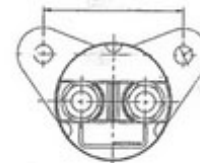


GROUP 7-STARTING
CH395

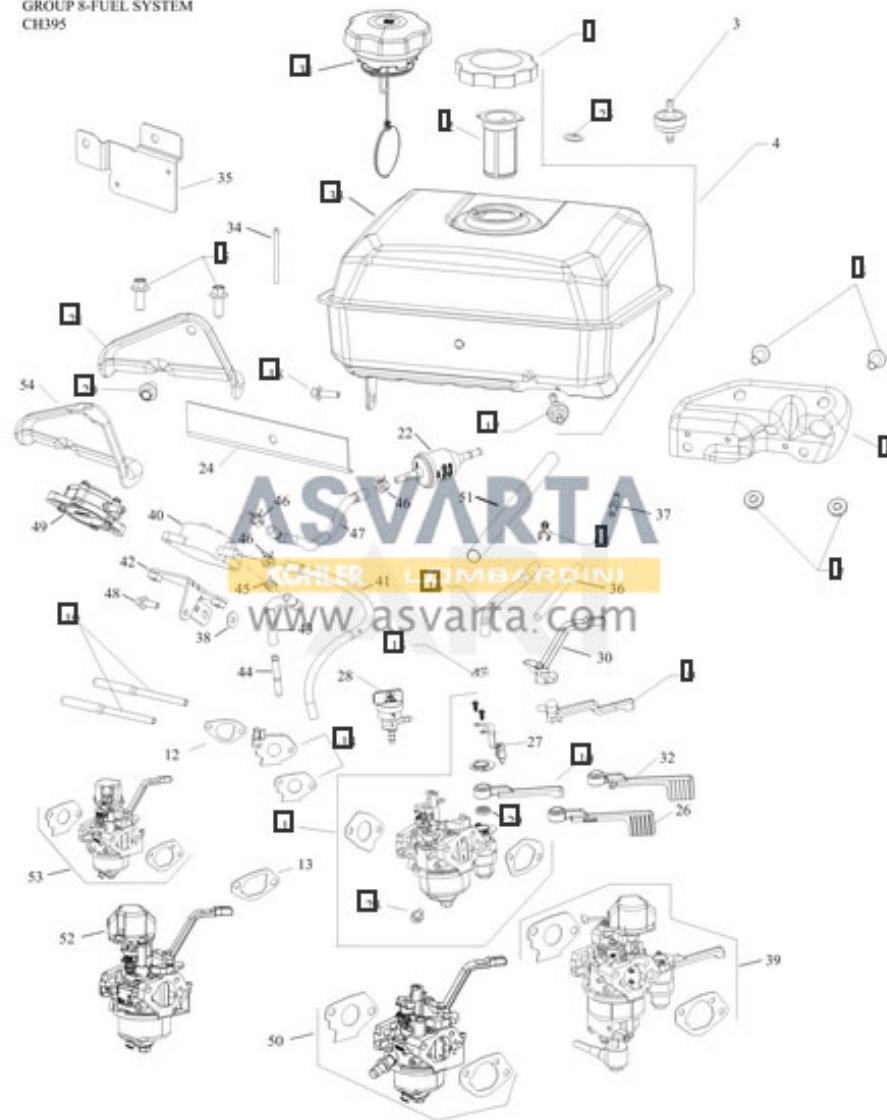


Identify Starter Solenoid/Relay based on Mounting Hole Spacing (See Diagram)

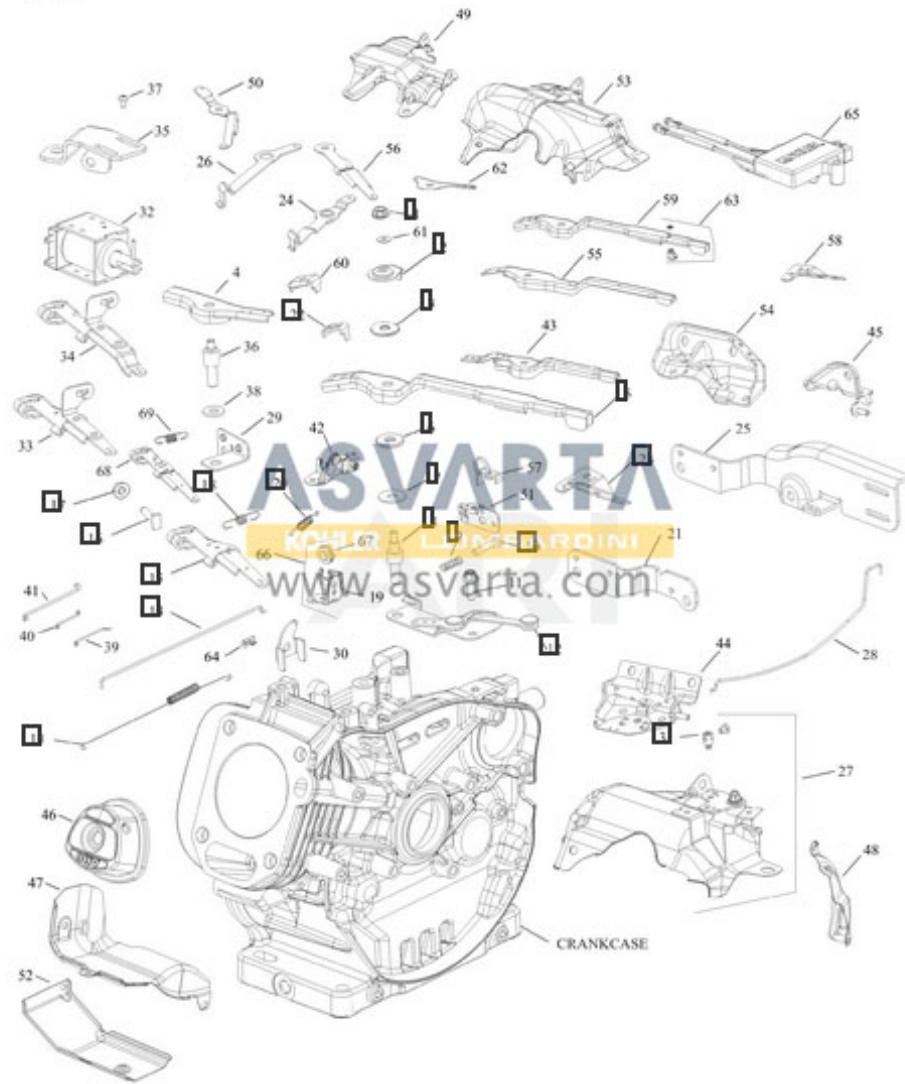
- 17 435 05-S Solenoid has a 1.65" (42.0 mm) Hole Spacing
- 17 435 06-S Solenoid has a 1.39" (35.5 mm) Hole Spacing



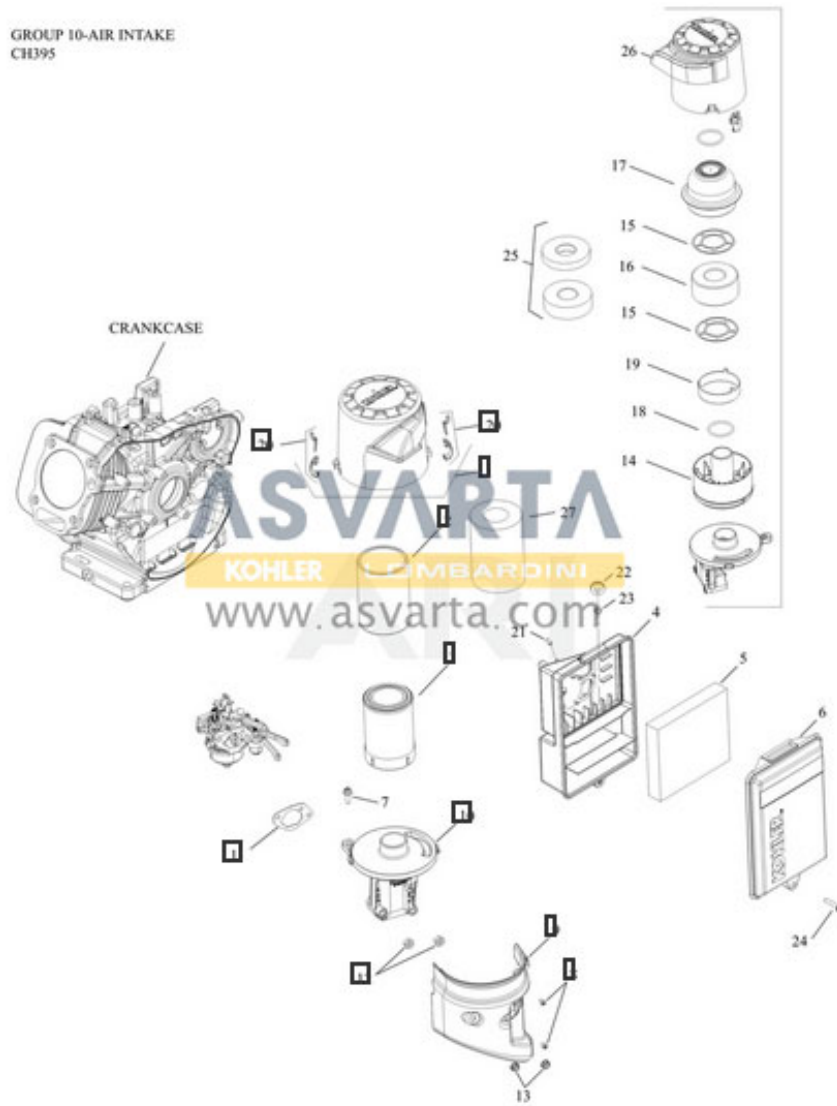
GROUP 8-FUEL SYSTEM
CH395



GROUP 9 - ENGINE CONTROLS
CH395



GROUP 10-AIR INTAKE
CH395



GROUP 11-EXHAUST
CH195

