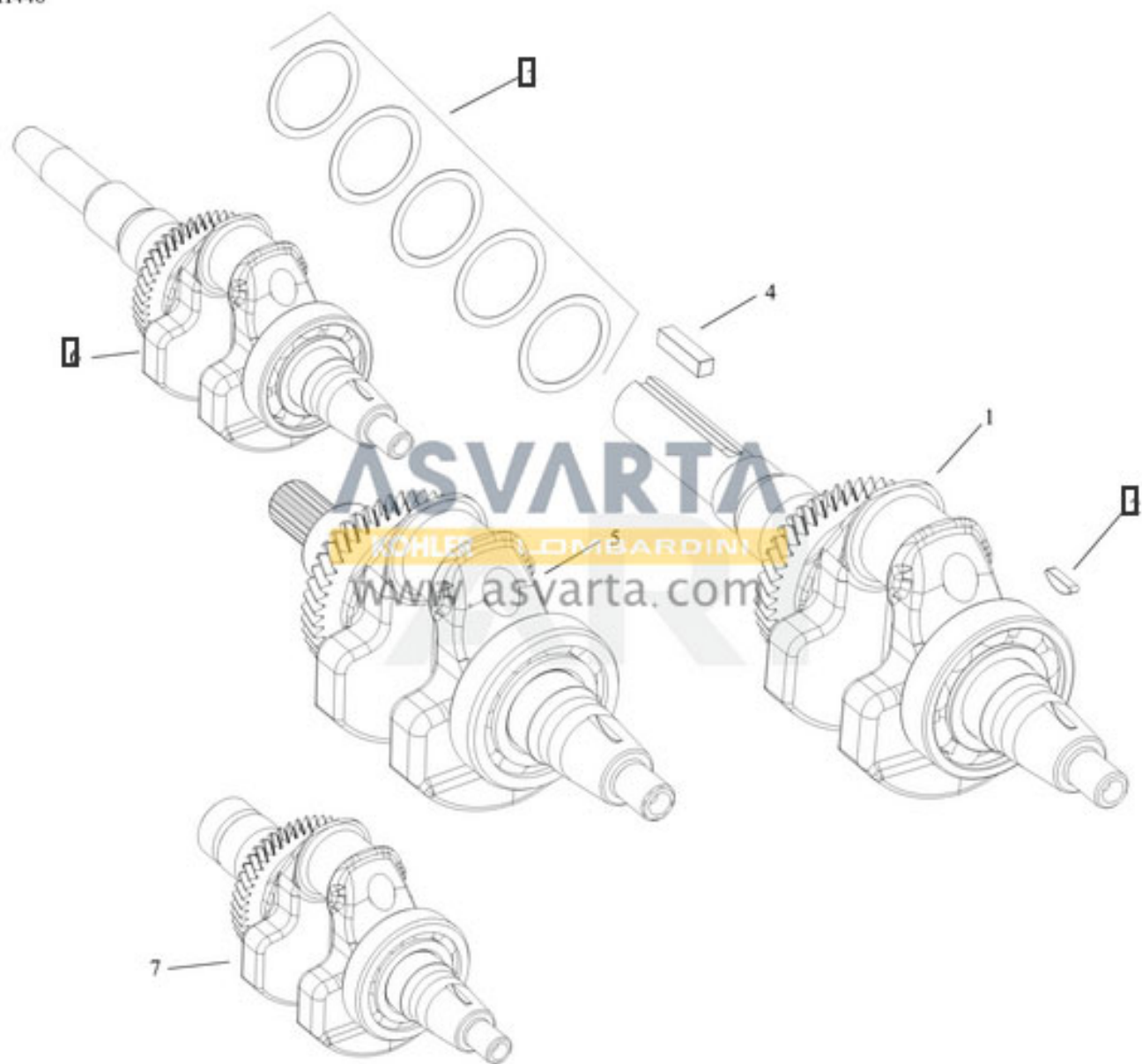
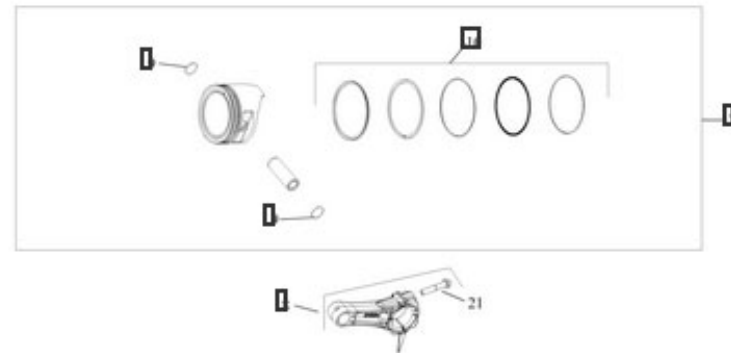
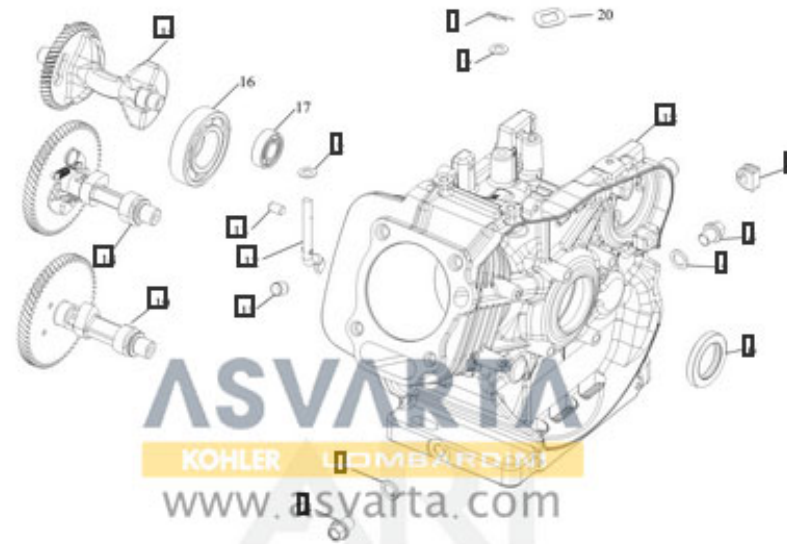


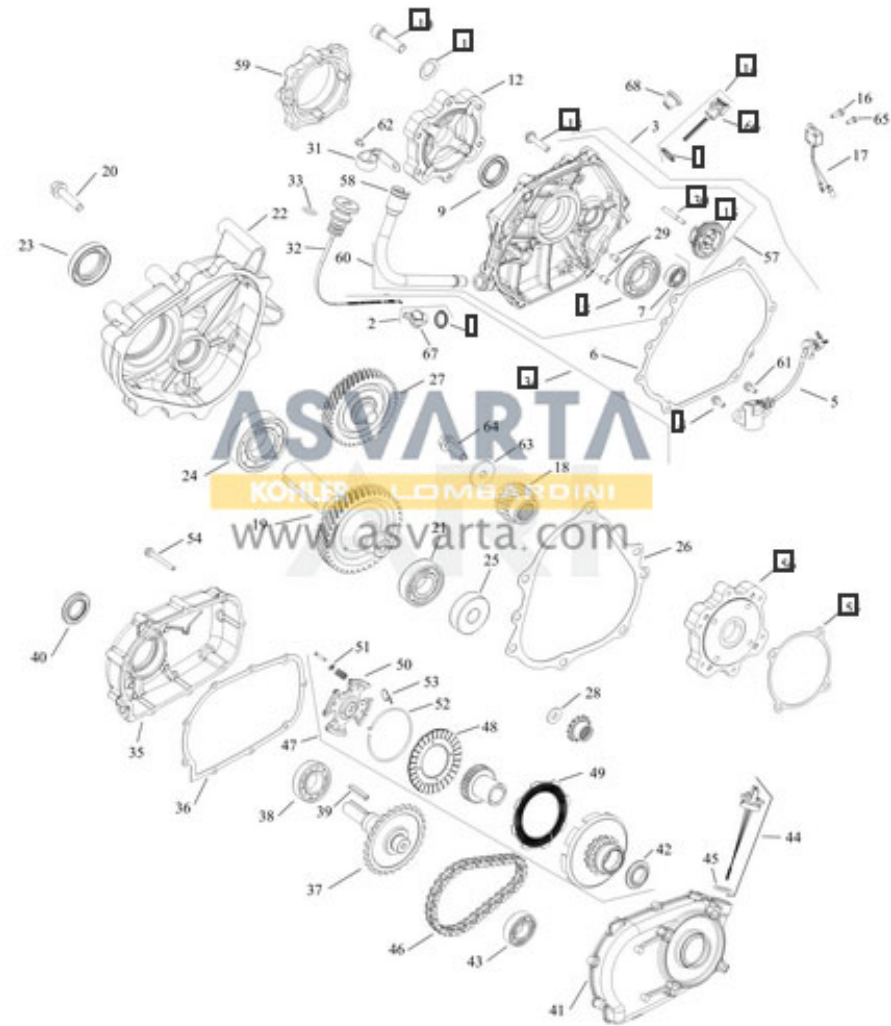
GROUP 1-CRANKSHAFT
CH440



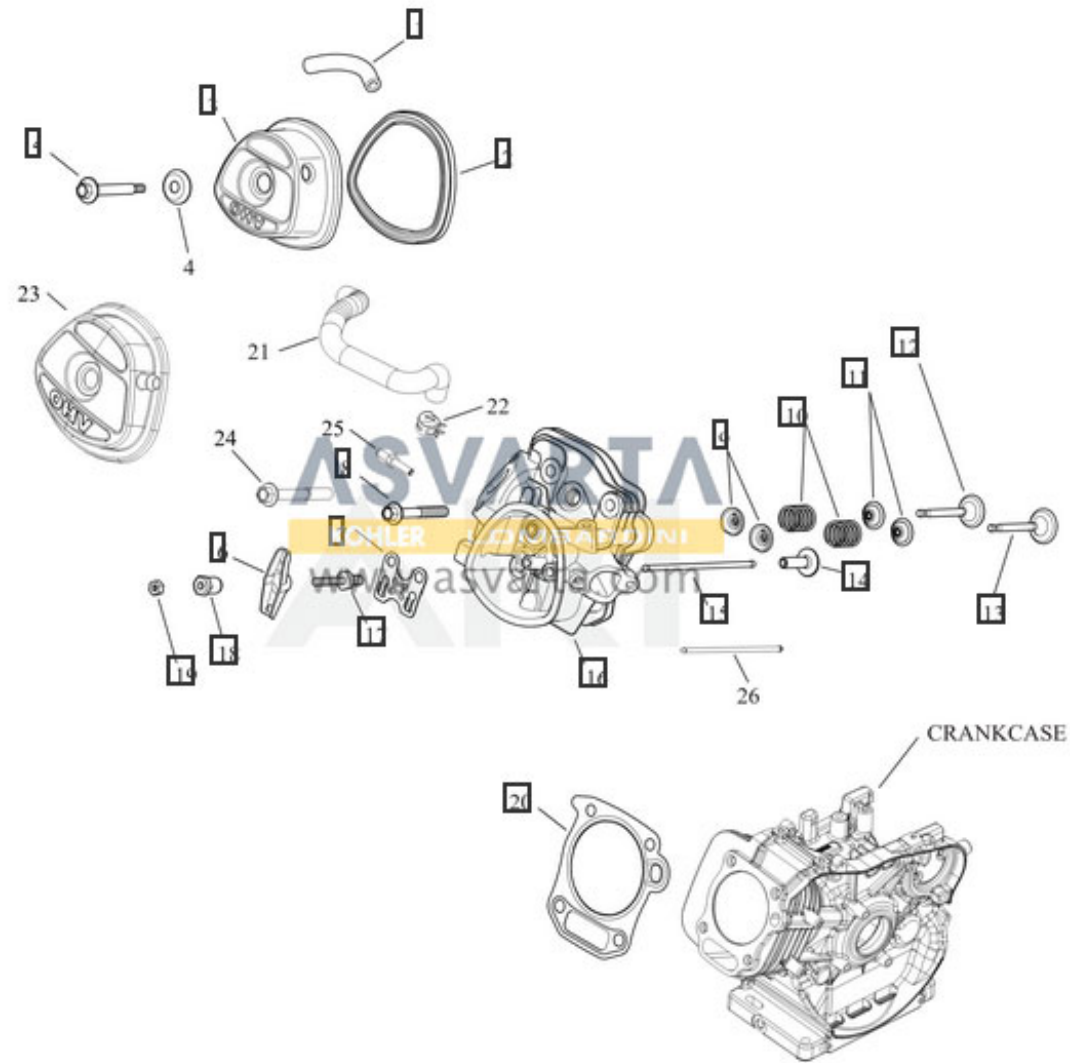
GROUP 2-CRANKCASE
CH440



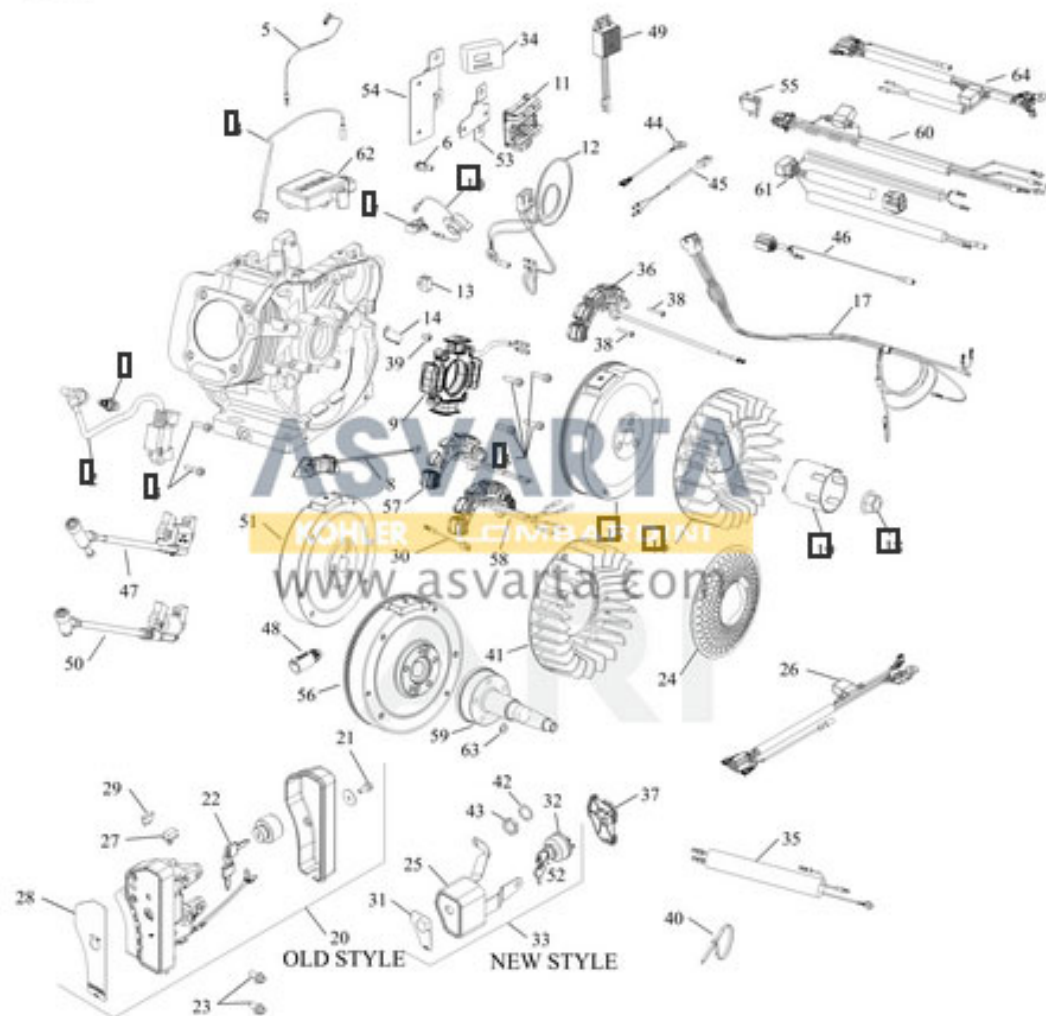
GROUP 3-LUBRICATION
CH440



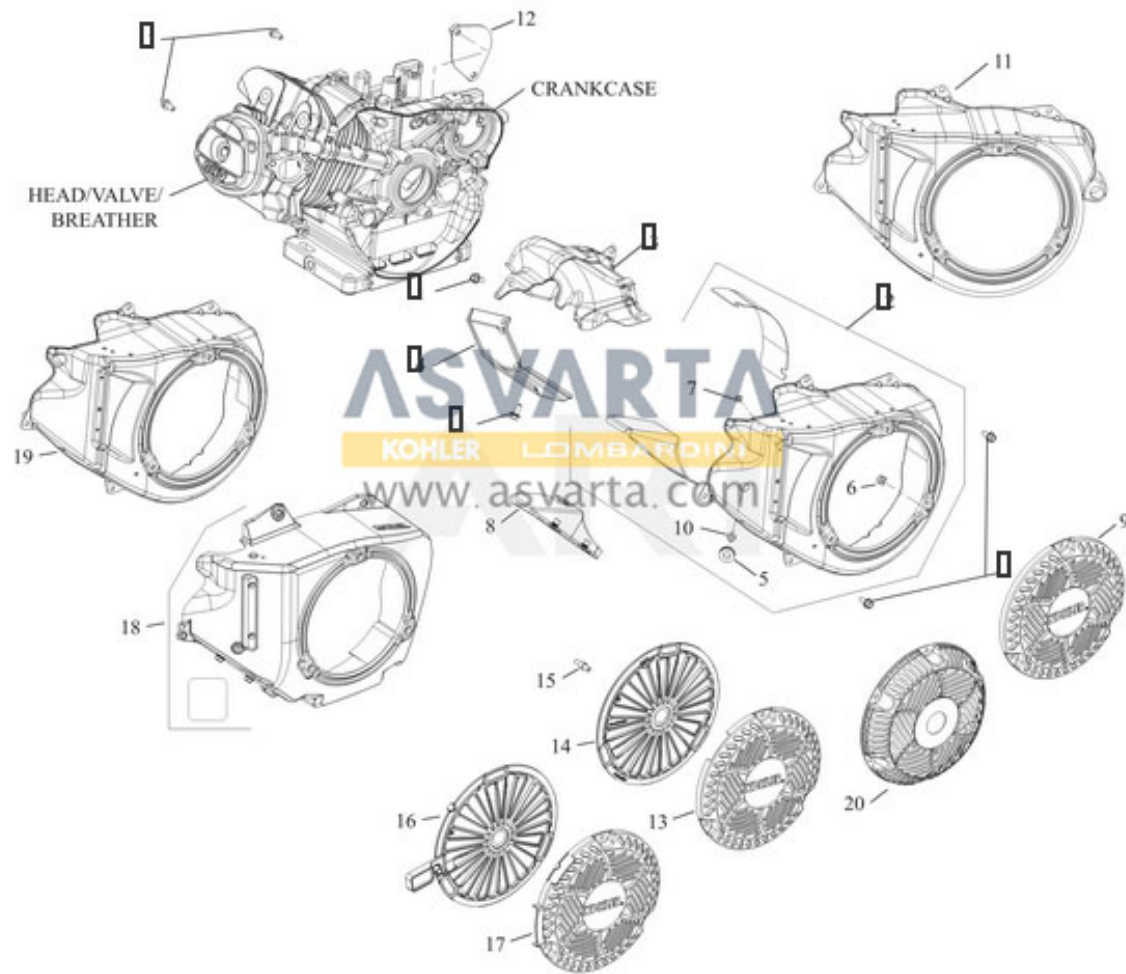
GROUP 4-HEAD/VALVE BREATHER
CH440



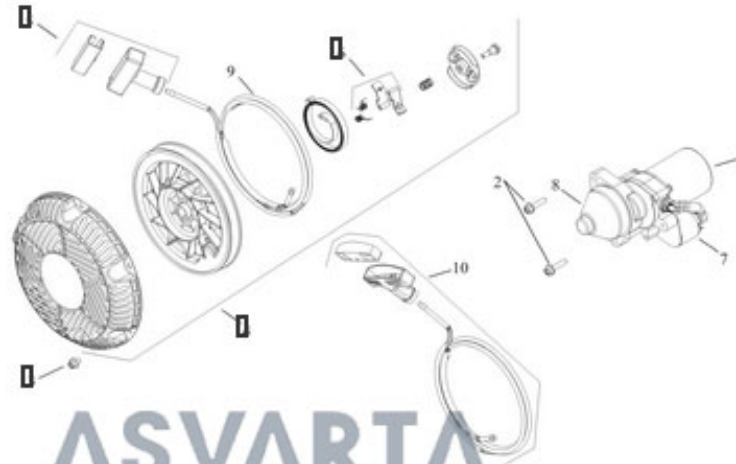
GROUP 5-IGNITION/CHARGING
CH440



GROUP 6-BLOWER HOUSING
CH440



GROUP 7-STARTER
CH440

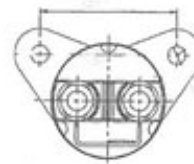


ASVARTA
KOHLER LOMBARDINI

Identify Starter Solenoid Relay based on Mounting Hole Spacing (See Diagram)

17 435 05-S Solenoid has a 1.65" (42.0 mm) Hole Spacing

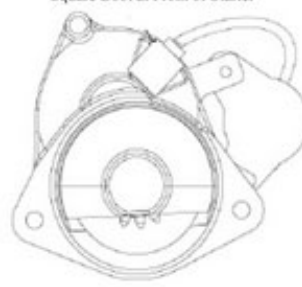
17 435 06-S Solenoid has a 1.39" (35.5 mm) Hole Spacing



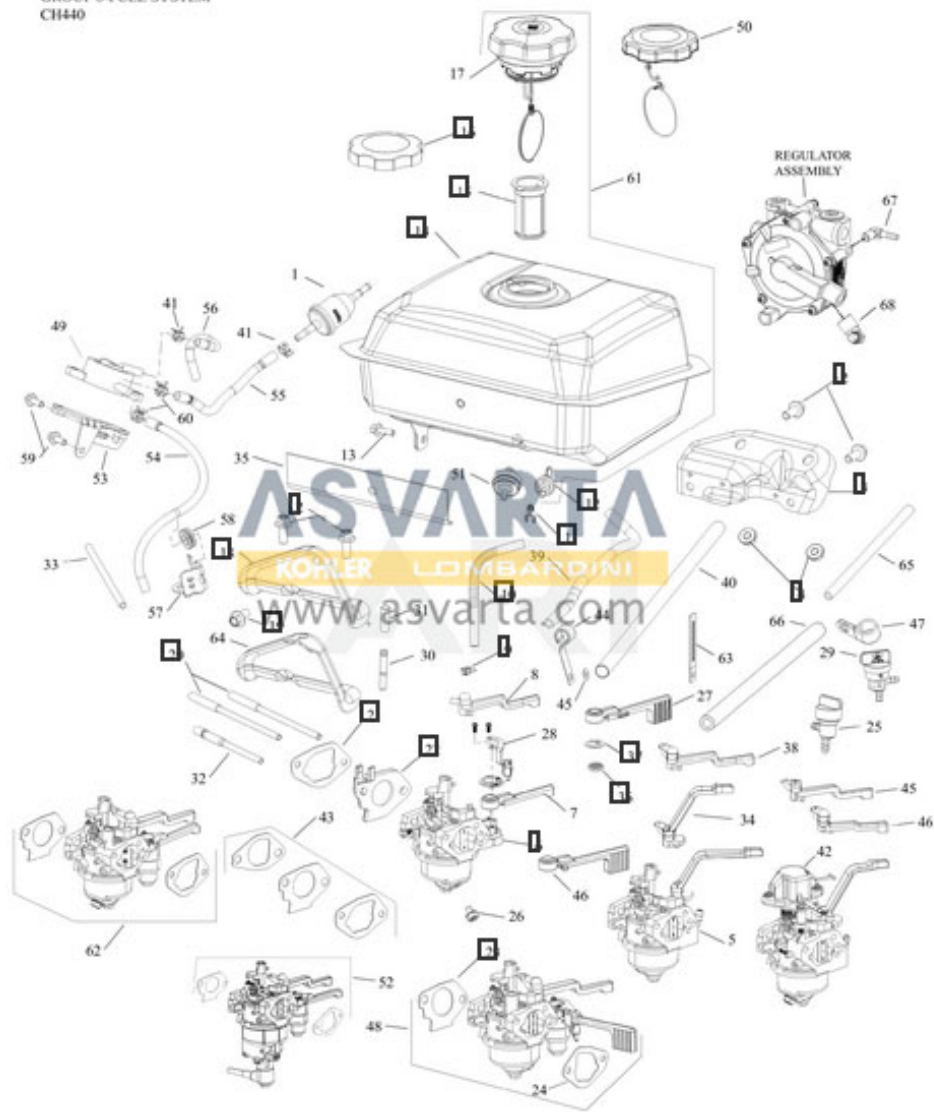
17 098 05-S
Round Boot on Top of Starter



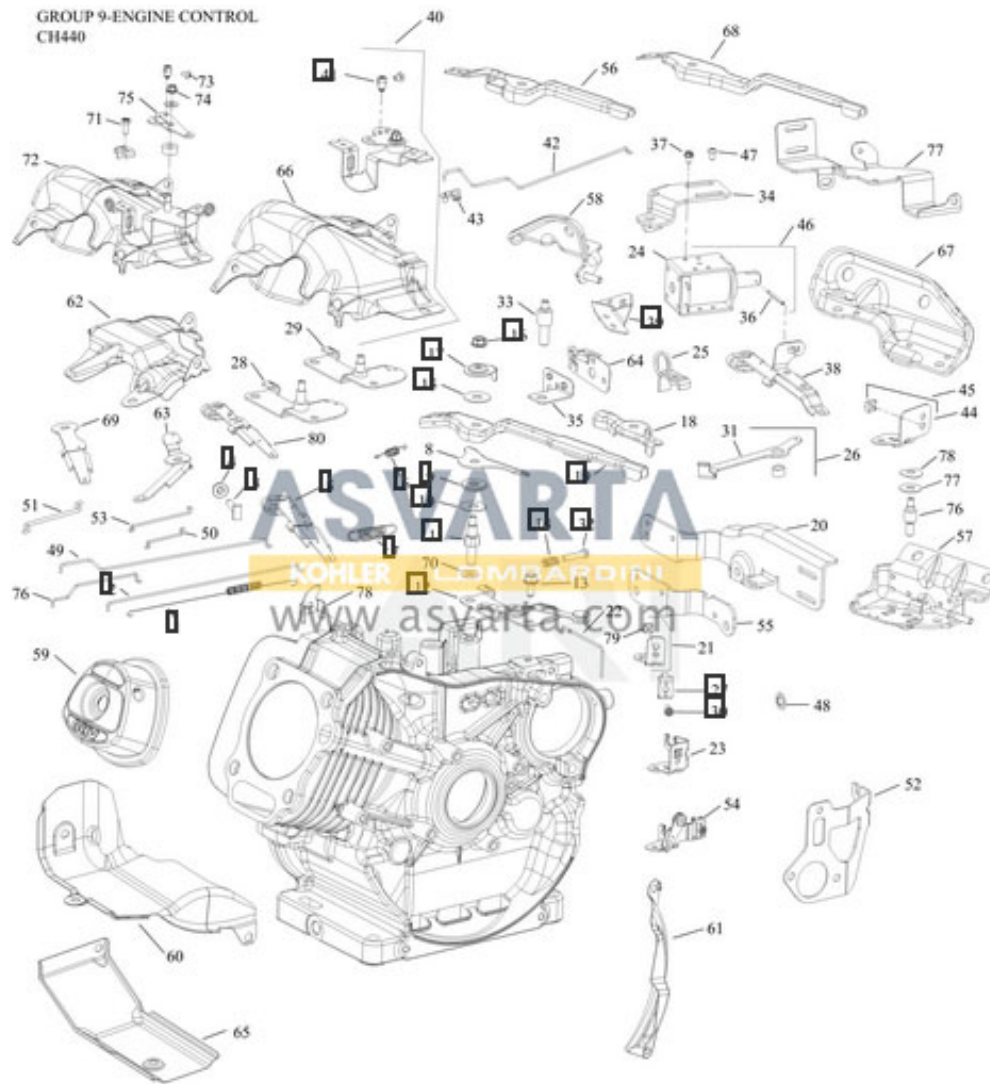
17 098 11-S
Square Boot at Front of Starter



GROUP 8-FUEL SYSTEM
CH440



GROUP 9-ENGINE CONTROL
CH440



GROUP 11-EXHAUST
CH440

