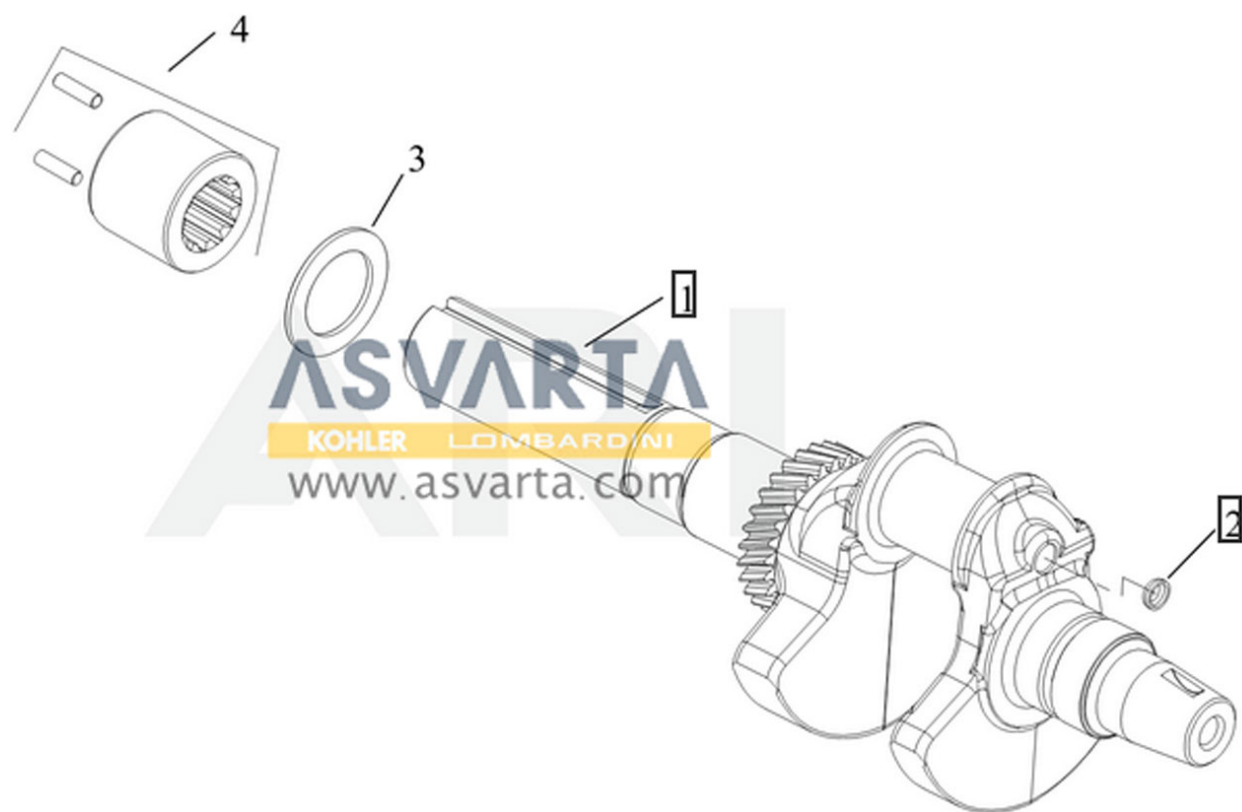


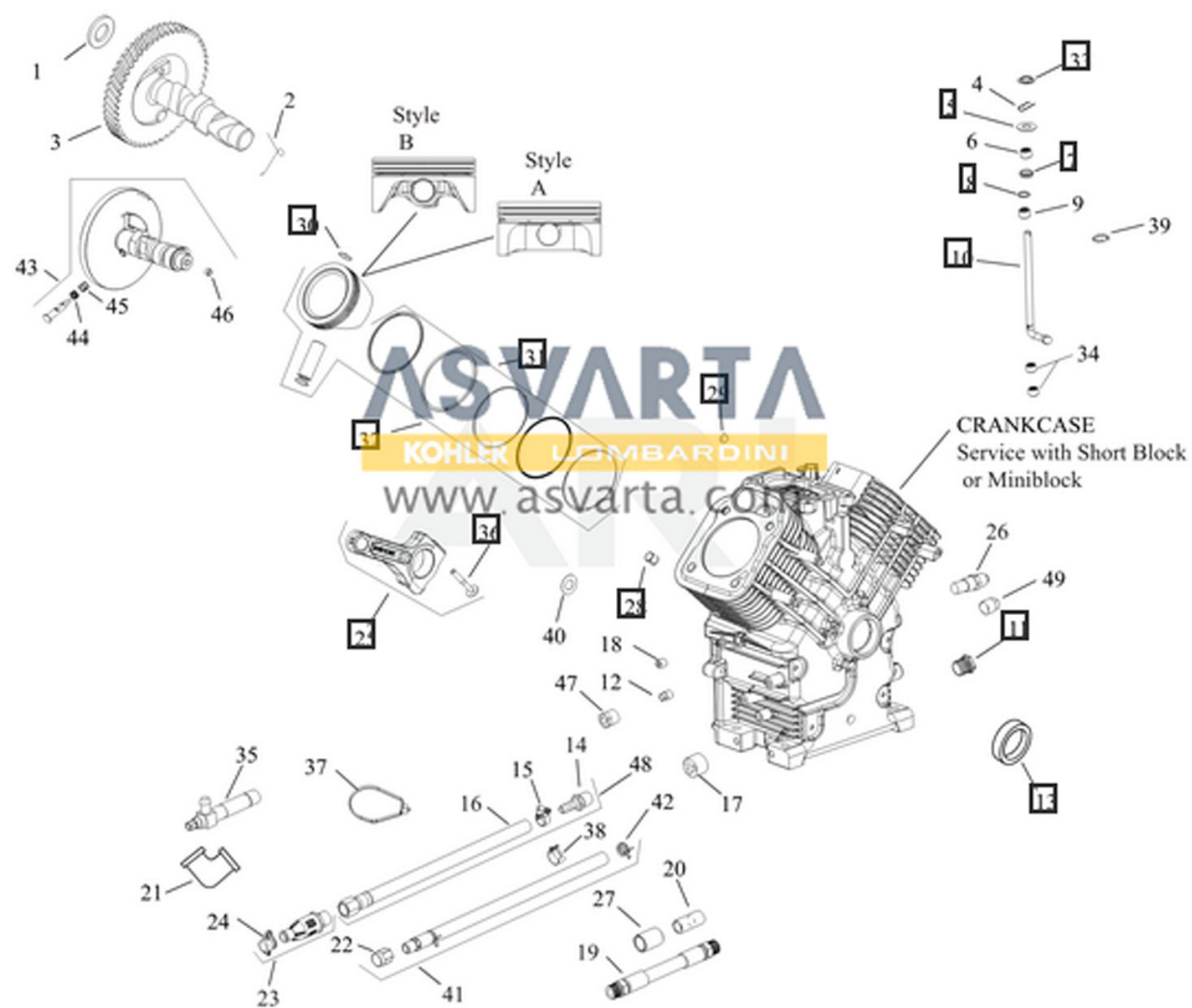
GROUP 1-CRANKSHAFT

CH18,CH20,CH22,CH23,CH25,CH620,CH640,CH670,CH680,CH730,CH740,CH750

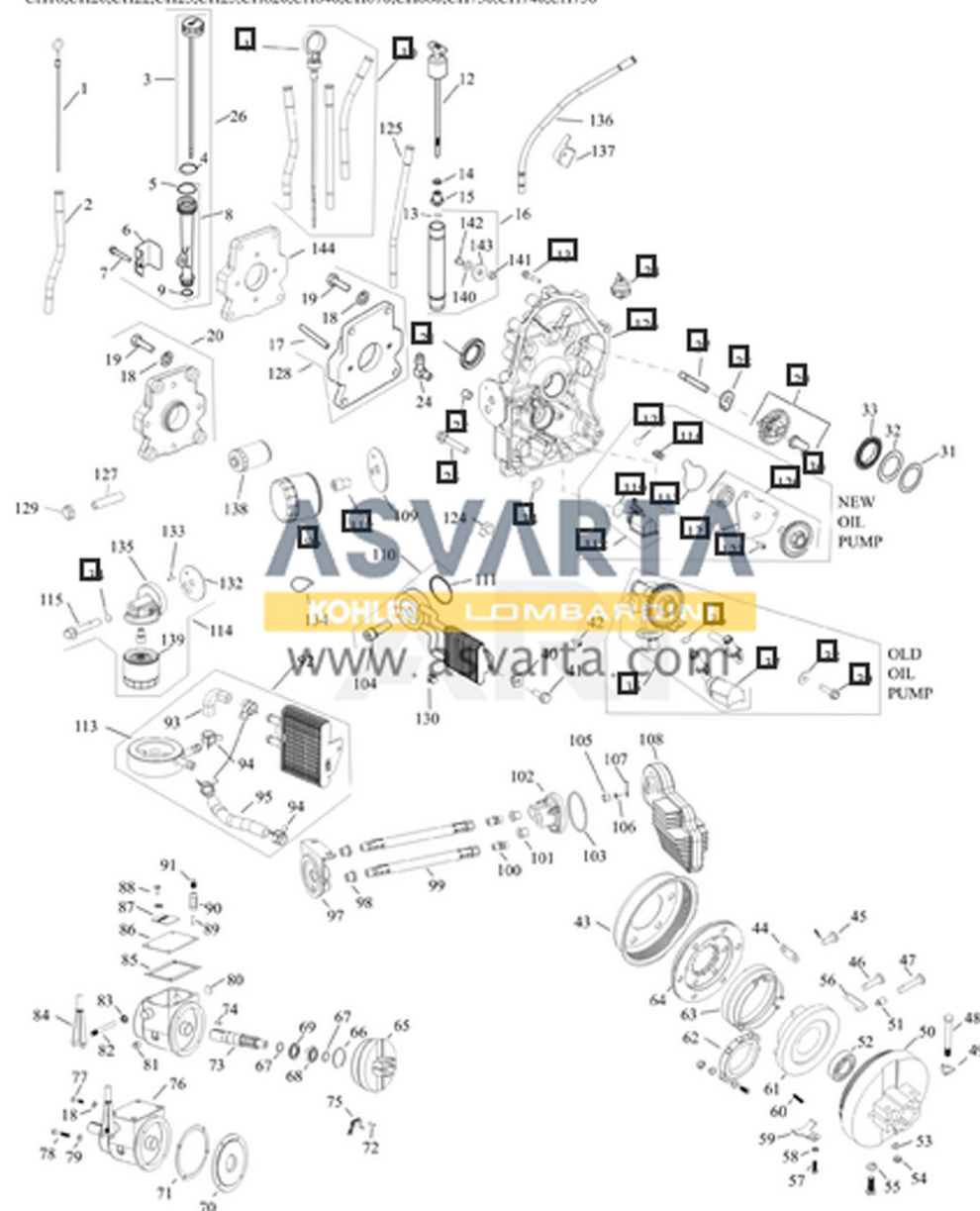


GROUP 2-CRANKCASE

CH18,CH20,CH22,CH23,CH25,CH620,CH640,CH670,CH680,CH730,CH740,CH750

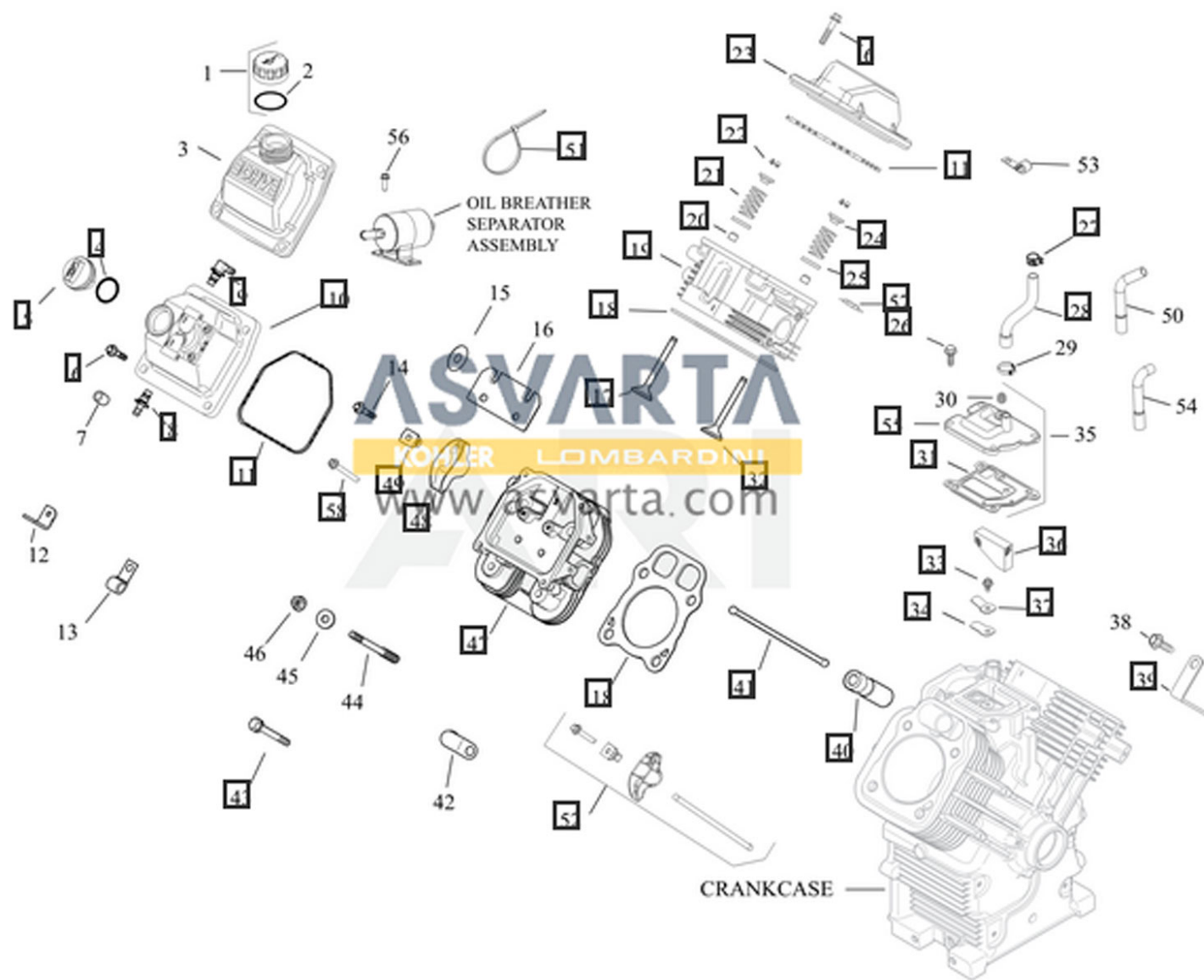


GROUP 3-LUBRICATION
CH18,CH20,CH22,CH23,CH25,CH620,CH640,CH670,CH680,CH730,CH740,CH750

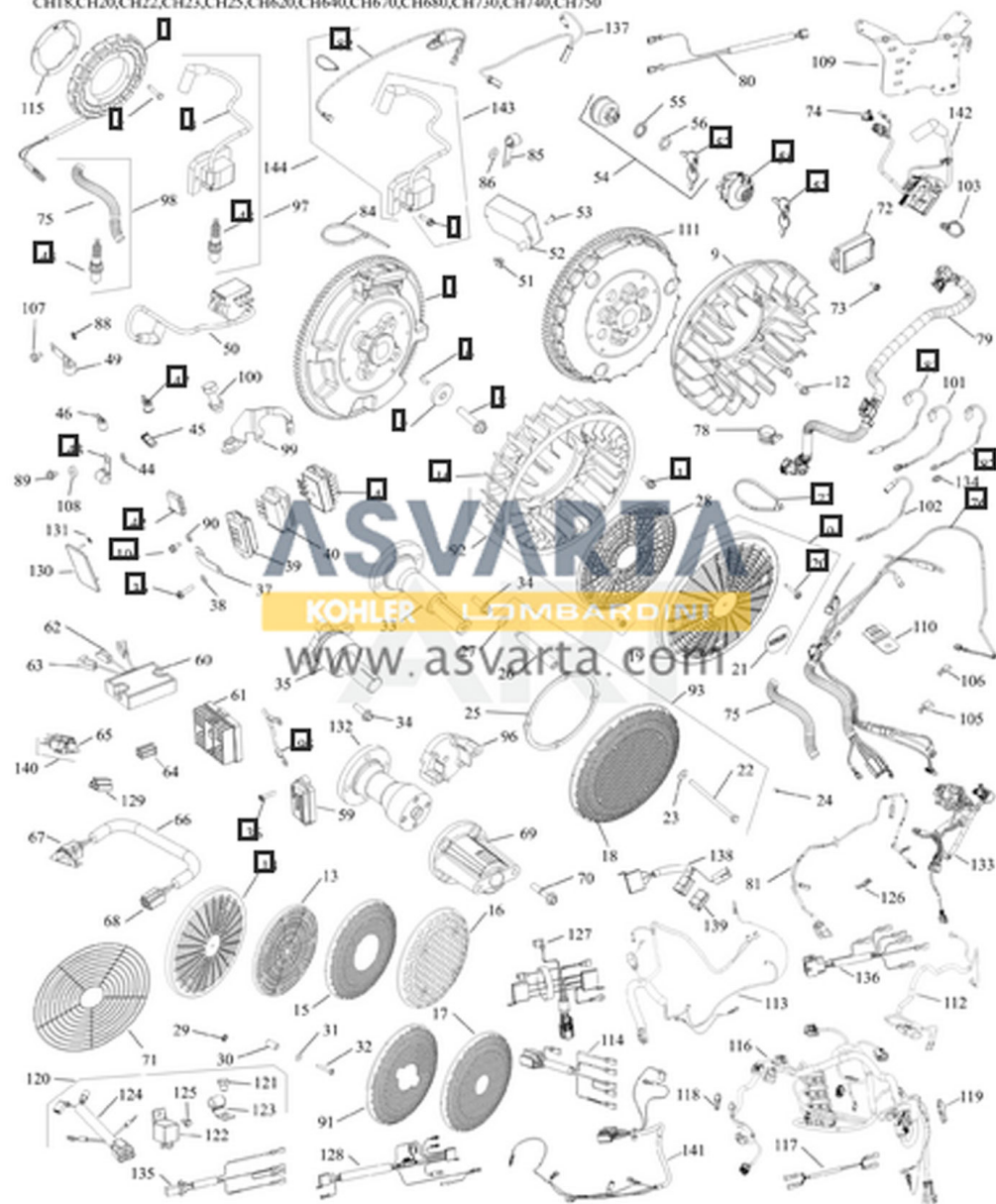


GROUP 4-HEAD/VALVE BREATHER

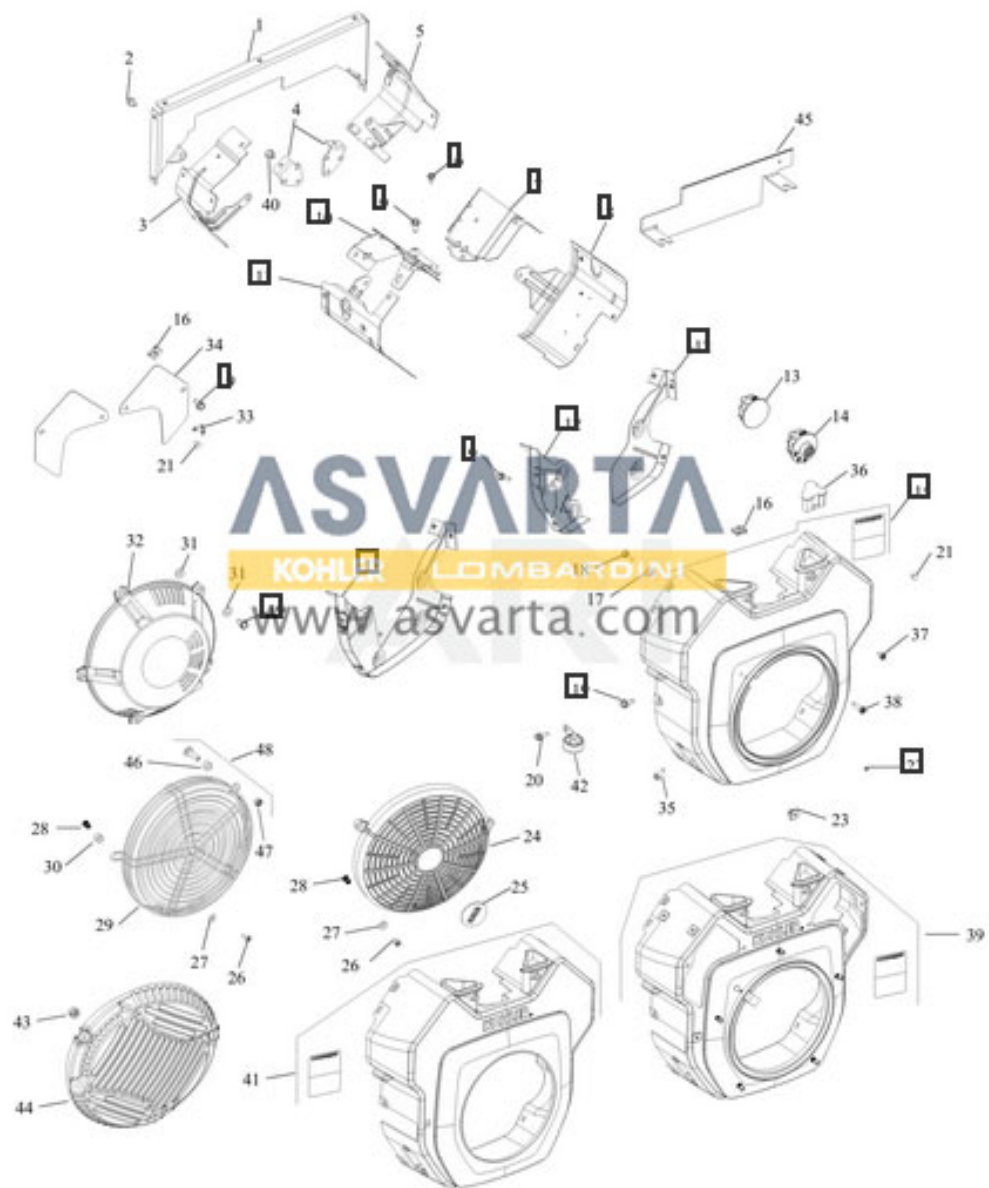
CH18,CH20,CH22,CH23,CH25,CH620,CH640,CH670,CH680,CH730,CH740,CH750



GROUP 5-IGNITION
CH18,CH20,CH22,CH23,CH25,CH620,CH640,CH670,CH680,CH730,CH740,CH750

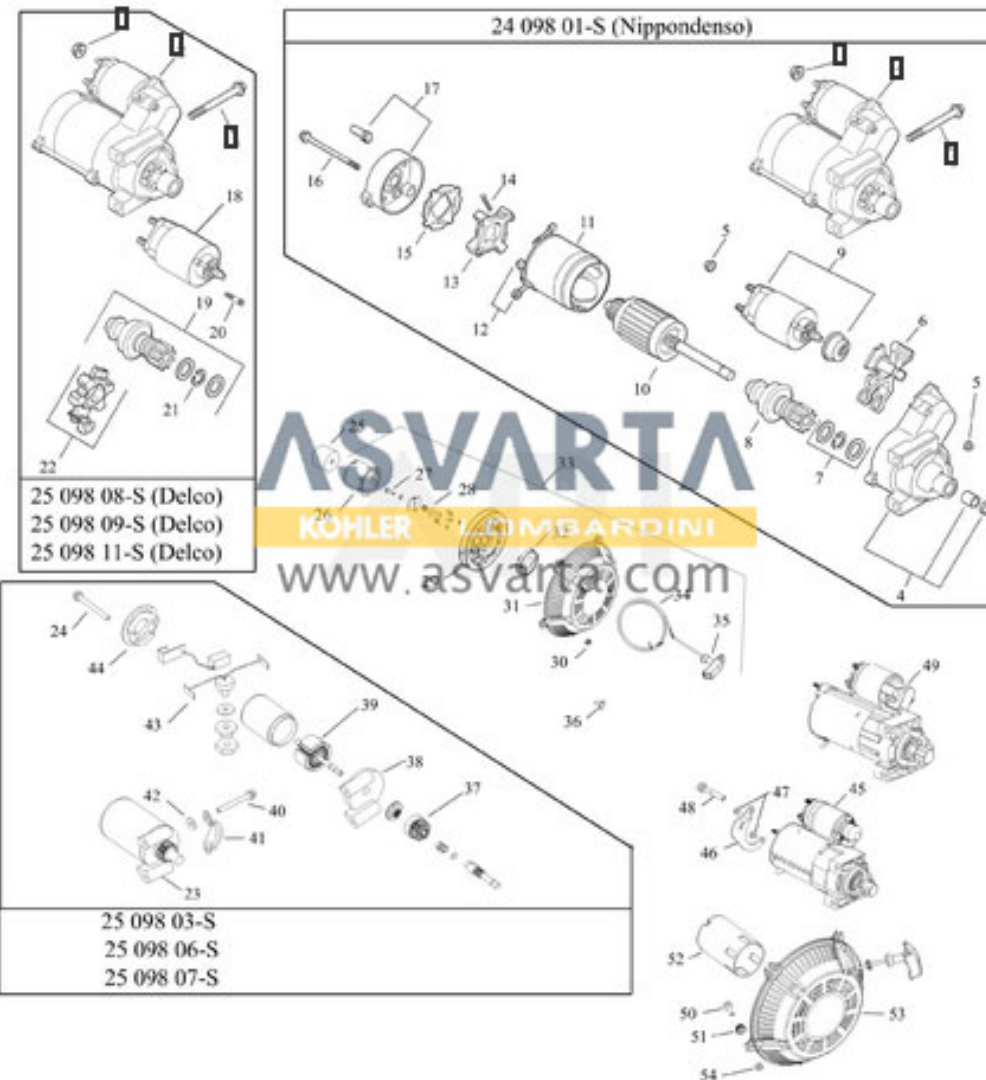


GROUP 6-BLOWER HOUSING
CH18,CH20,CH22,CH23,CH25,CH620,CH640,CH670,CH680,CH730,CH740,CH750

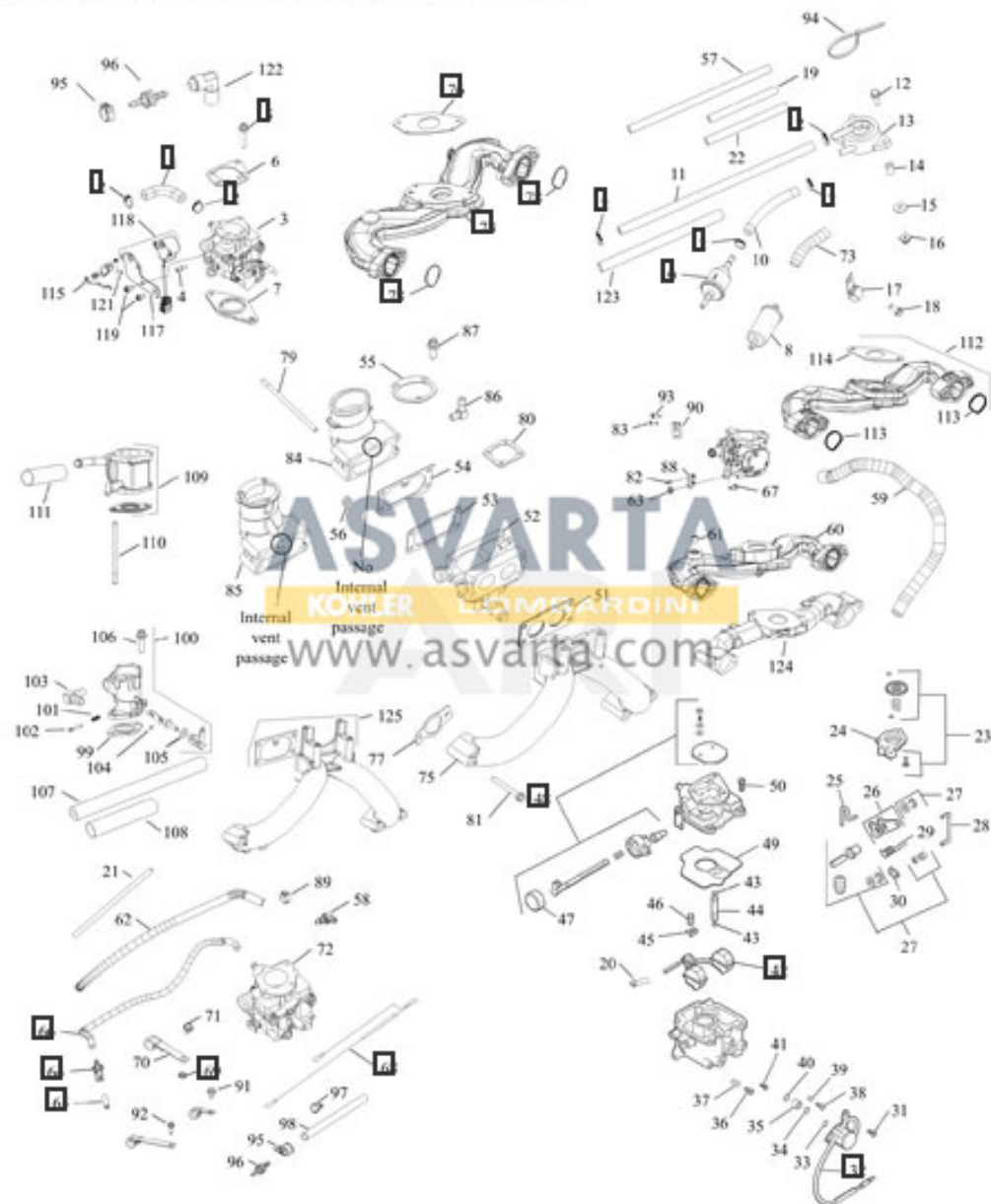


GROUP 7-STARTER
 CH18,CH20,CH22,CH23,CH25,CH620,CH640,CH670,CH680,CH730,CH740,CH750

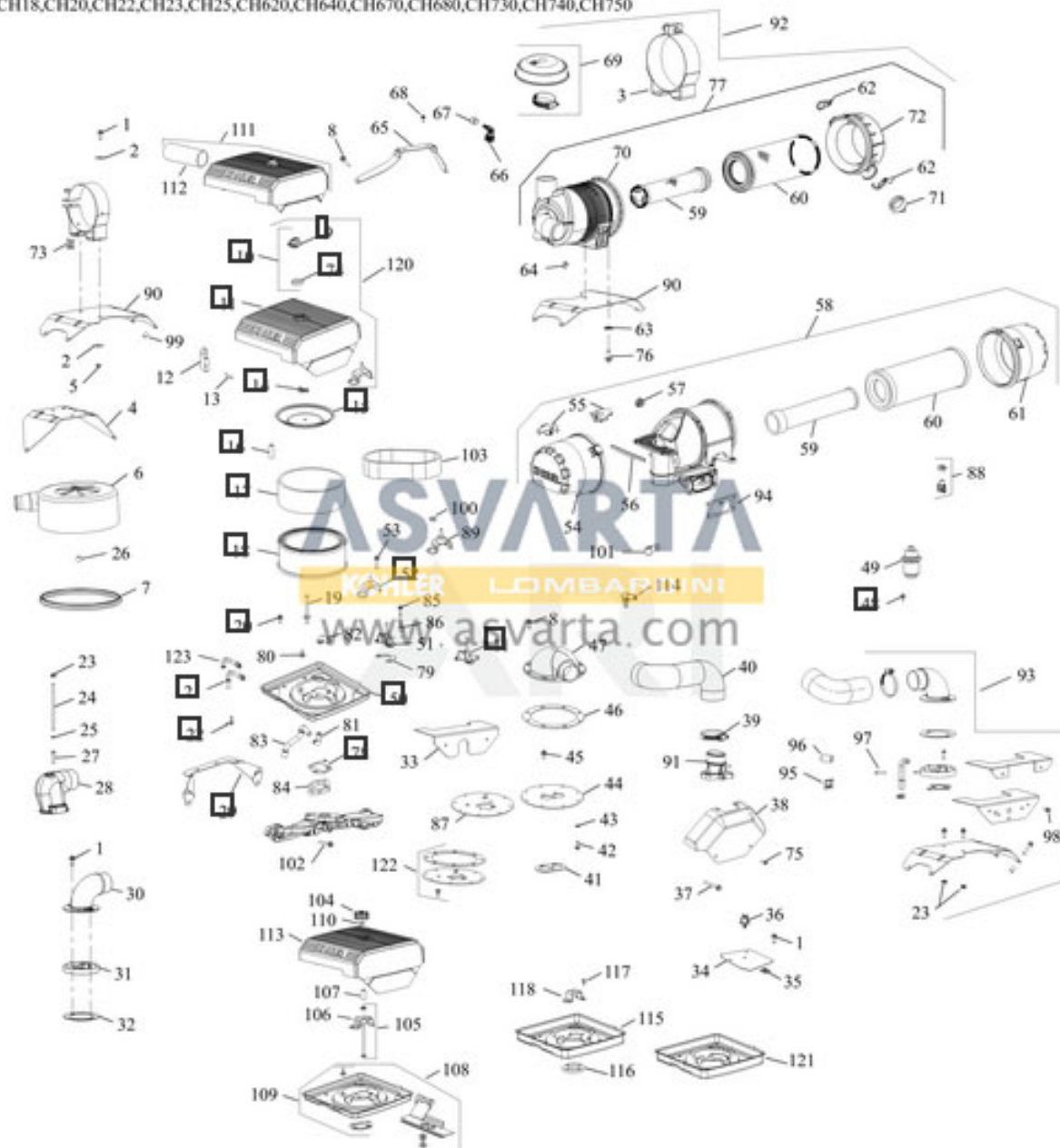
Service starter components according to the part number
 printed on the starter. Starter components are NOT
 interchangeable.



GROUP 8-FUEL SYSTEM
CH18,CH20,CH22,CH23,CH25,CH620,CH640,CH670,CH680,CH730,CH740,CH750



GROUP 10-AIR INTAKE
CH18,CH20,CH22,CH23,CH25,CH620,CH640,CH670,CH680,CH730,CH740,CH750



GROUP 11-EXHAUST
CH18, CH20, CH22, CH25, CH620, CH640, CH670, CH680, CH730, CH740, CH750

